



**MOSA Generators**

**GE 15 YS**

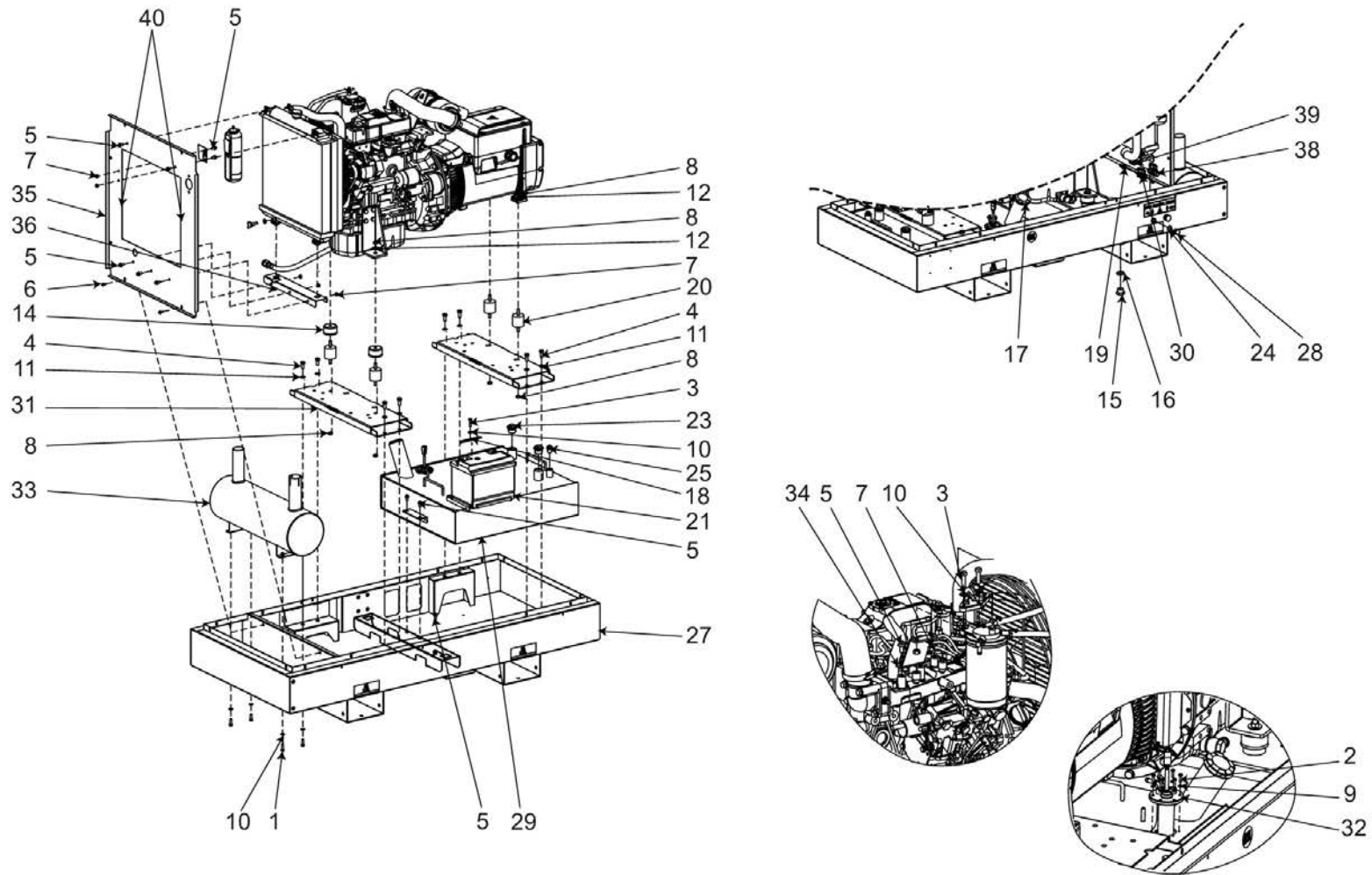
22/12/2022

*This Page is Intentionally Left Blank.*

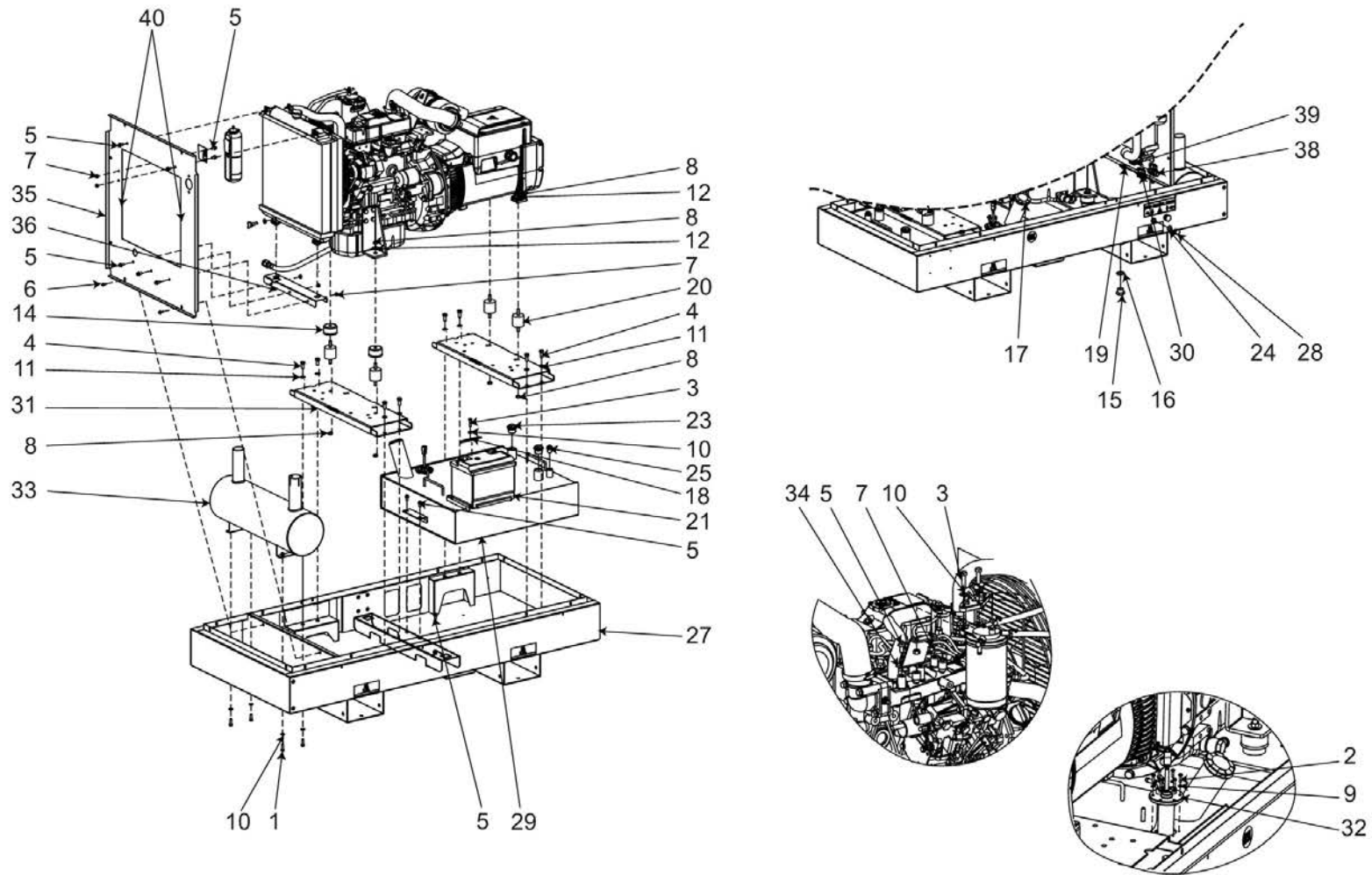
C20054 - GE 15 YS.....	4
A.01.00.C0003_0 - ENGINE - ALTERNATOR SET ON BASE.....	6
A.01.06.C0003_00 - ENGINE - ALTERNATOR SET ON BASE (350l).....	10
A.02.00.C0003_0 - ENGINE - ALTERNATOR SET.....	14
A.02.00.C0003_01 - ENGINE - ALTERNATOR SET.....	16
B.01.00.C0003_0 - MACHINE SET WITHOUT CANOPY.....	18
B.01.01.C0003_00 - MACHINE WITHOUT CANOPY SET (350l).....	20
C.06.00.C0003_0 - FRONT PANEL SET, COMPONENTS (UPPER).....	22
C.06.00.C0003_01 - FRONT PANEL SET, COMPONENTS (UPPER).....	24
C.07.00.C0003_01 - FRONT PANEL SET, COMPONENTS (LOWER).....	26
D.01.00.C0003_0 - ELECTRIC BOX SET.....	28
E.01.00.C0003_0 - CANOPY SET.....	32
E.01.01.C0003_00 - CANOPY SET (350l).....	34
E.02.00.C0003_0 - CANOPY PARTS, ENGINE SIDE SET.....	36
E.02.01.C0003_00 - CANOPY PARTS, ENGINE SIDE SET (350l).....	38
E.03.00.C0003_0 - CANOPY PARTS, ALTERNATOR SIDE SET.....	40
E.03.00.C0003_01 - CANOPY PARTS, ENGINE SIDE SET.....	42
E.03.01.C0003_00 - GRUPPO CARENATURE LATO ALTERNATORE (350l).....	44
H.02.09.C0001_00 - CTL 15.....	46
Components index.....	48



<b>Id</b>	<b>Description</b>
A.01.00.C0003_0	ENGINE - ALTERNATOR SET ON BASE
A.01.06.C0003_00	ENGINE - ALTERNATOR SET ON BASE (3501)
A.02.00.C0003_0	ENGINE - ALTERNATOR SET
A.02.00.C0003_01	ENGINE - ALTERNATOR SET
B.01.00.C0003_0	MACHINE SET WITHOUT CANOPY
B.01.01.C0003_00	MACHINE WITHOUT CANOPY SET (3501)
C.06.00.C0003_0	FRONT PANEL SET, COMPONENTS (UPPER)
C.06.00.C0003_01	FRONT PANEL SET, COMPONENTS (UPPER)
C.07.00.C0003_01	FRONT PANEL SET, COMPONENTS (LOWER)
D.01.00.C0003_0	ELECTRIC BOX SET
E.01.00.C0003_0	CANOPY SET
E.01.01.C0003_00	CANOPY SET (3501)
E.02.00.C0003_0	CANOPY PARTS, ENGINE SIDE SET
E.02.01.C0003_00	CANOPY PARTS, ENGINE SIDE SET (3501)
E.03.00.C0003_0	CANOPY PARTS, ALTERNATOR SIDE SET
E.03.00.C0003_01	CANOPY PARTS, ENGINE SIDE SET
E.03.01.C0003_00	GRUPPO CARENATURE LATO ALTERNATORE (3501)
H.02.09.C0001_00	CTL 15



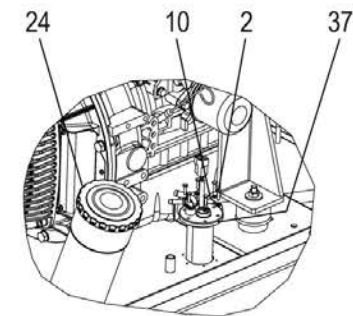
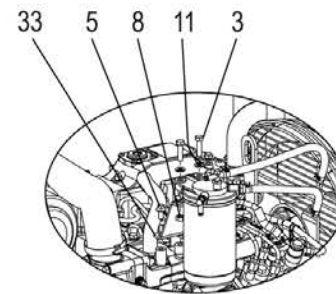
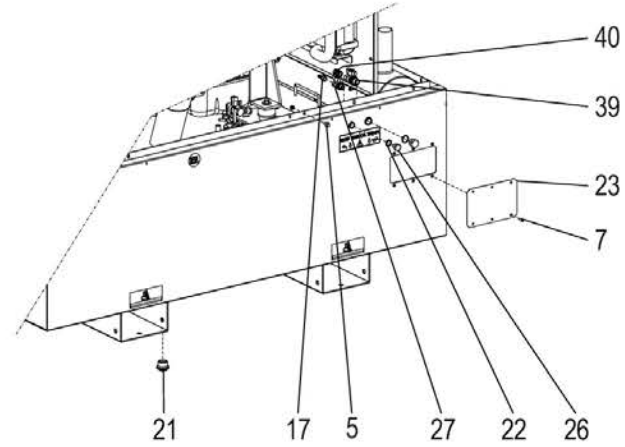
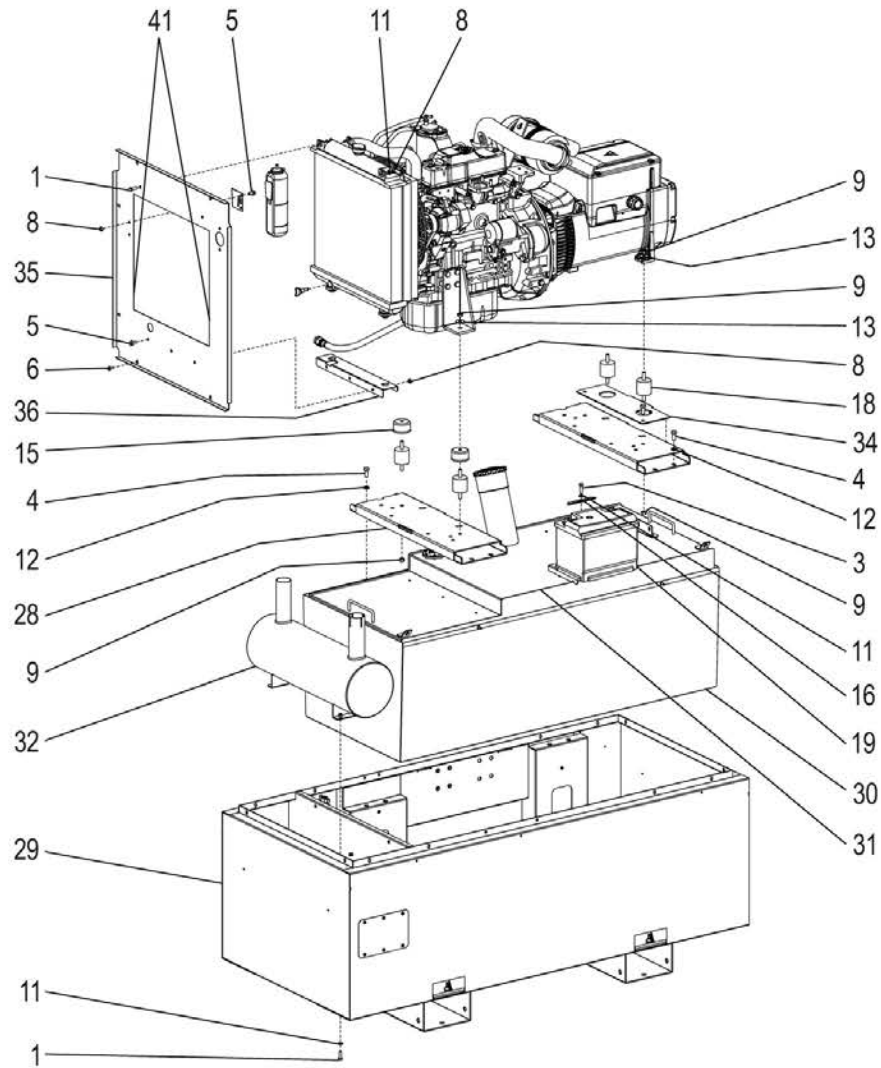
Pos.	Id	Q.ty	Description	Note
1	M6001150	1	SCREW TE ISO 4017 M8X25	
2	M6001180	1	SCREW TE ISO 4017 M4X16	
3	M6001190	1	SCREW TE ISO 4017 M8X30	
4	M6001400	1	VITE TE ISO 4017 M10X25 8.8 ZN	
5	M6005030	1	SCREW TE C/F ENI1662 M5X16	
6	M6005040	1	SCREW TE C/F ENI1662 M6X16	
7	M6022060	1	NUT M8 UNI5588 6S	
8	M6022080	1	NOUT M10 UNI5588 6S	
9	M6035020	1	WASHER	
10	M6035040	1	WASHER	
11	M6035050	1	WASHER 10,5X21 UNI 6592 R40	
12	M6036070	1	RONDELLA ISO7093-2-10-100HV ZN	
14	M307012037	1	PROTECTION, VIBRATION-DAMPER	
15	M308101262	1	FUEL TANK CAP	
16	M308102023	1	GASKET	
17	M342202026	1	CAP, FUEL TANK	
18	M400409154	1	BRACKET	
19	M741652276	1	RACCORDO PORTAGOMMA M3/8 G D10	
20	M773721035	1	VIBRATION-DAMPING 50x50 M/M-M10	
21	M773749150	1	BATTERY 12V 60AH	
23	M840951262	1	TAPPO 1 GAS (CONICO)	
24	M841652278	1	RONDELLA GUARNIZ.D17,5/24 SP.2	
25	M842251262	1	TAPPO 1/2 GAS (CONICO)	
27	M849001050	1	CRANKCASE	
28	M849001262	1	TAPPO MASCHIO ESAGONALE 3/8 G	
29	M849002020	1	SERBATOIO CARBURANTE (55 L)	
30	M849002025	1	RUBINETTO M-F 3/8 G	
31	M849003101	1	ALTERNATOR SUPPORT BRACKET	
32	M849009975	1	FUEL LEVEL SENSOR	



Pos.	Id	Q.ty	Description	Note
33	M849052050	1	MUFFLER	
34	M849102147	1	STAFFA FISS.PRE-FILTRO GASOLIO	
35	M849108215	1	ENGINE AIR EXHAUST SITE	
36	M849108370	1	STAFFA SOSTEGNO RADIATORE	
38	MJJ0062025	1	OIL TAP	
39	MJJ0062292	1	NIPPLE	
40	M309509005	1	GASKET	



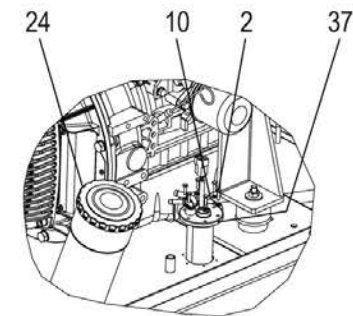
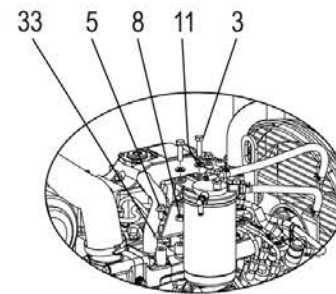
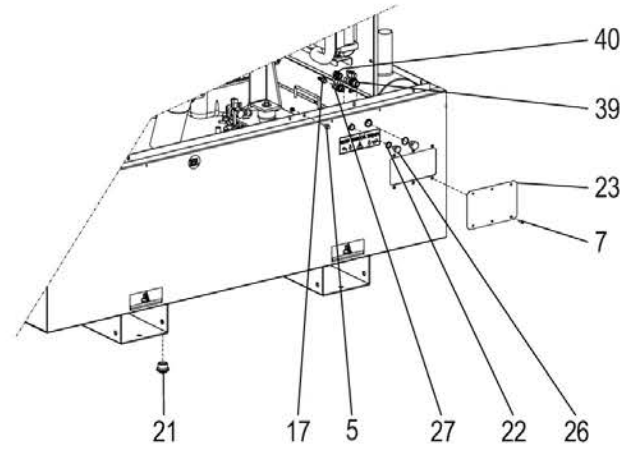
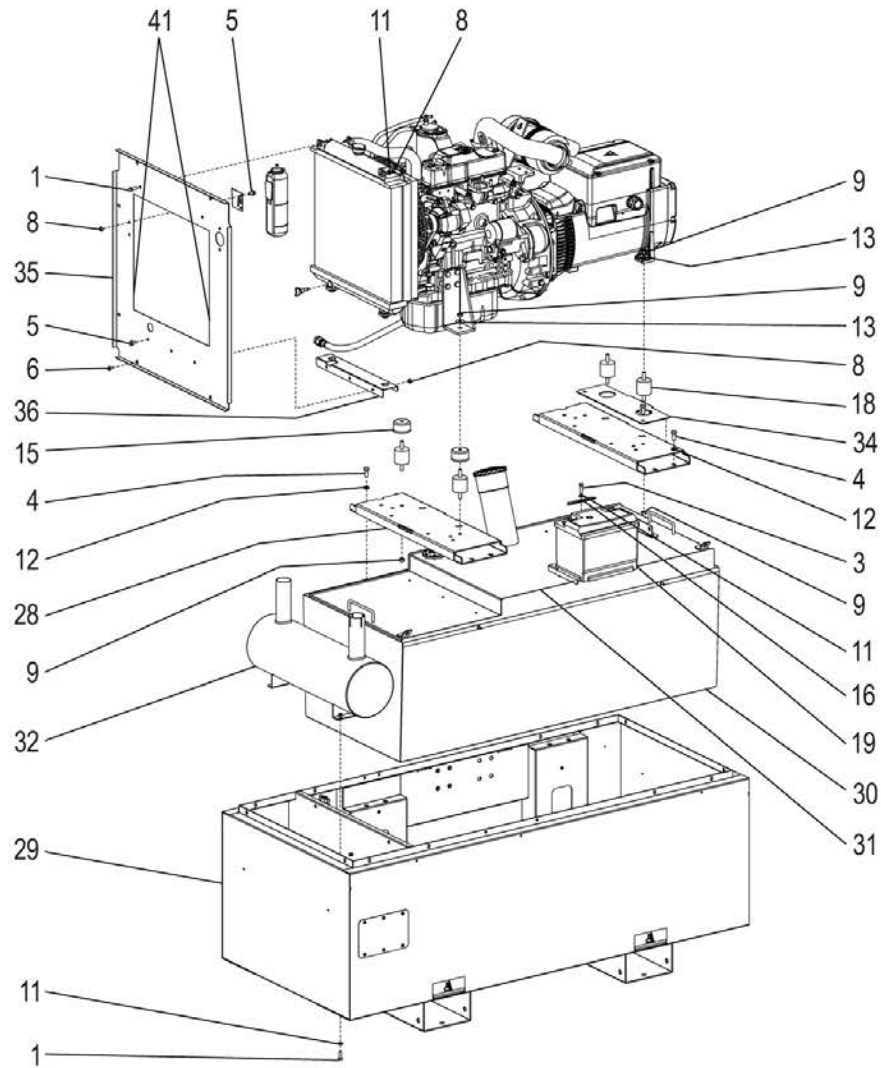
A.01.06.C0003\_00 - ENGINE - ALTERNATOR SET ON BASE (350I)



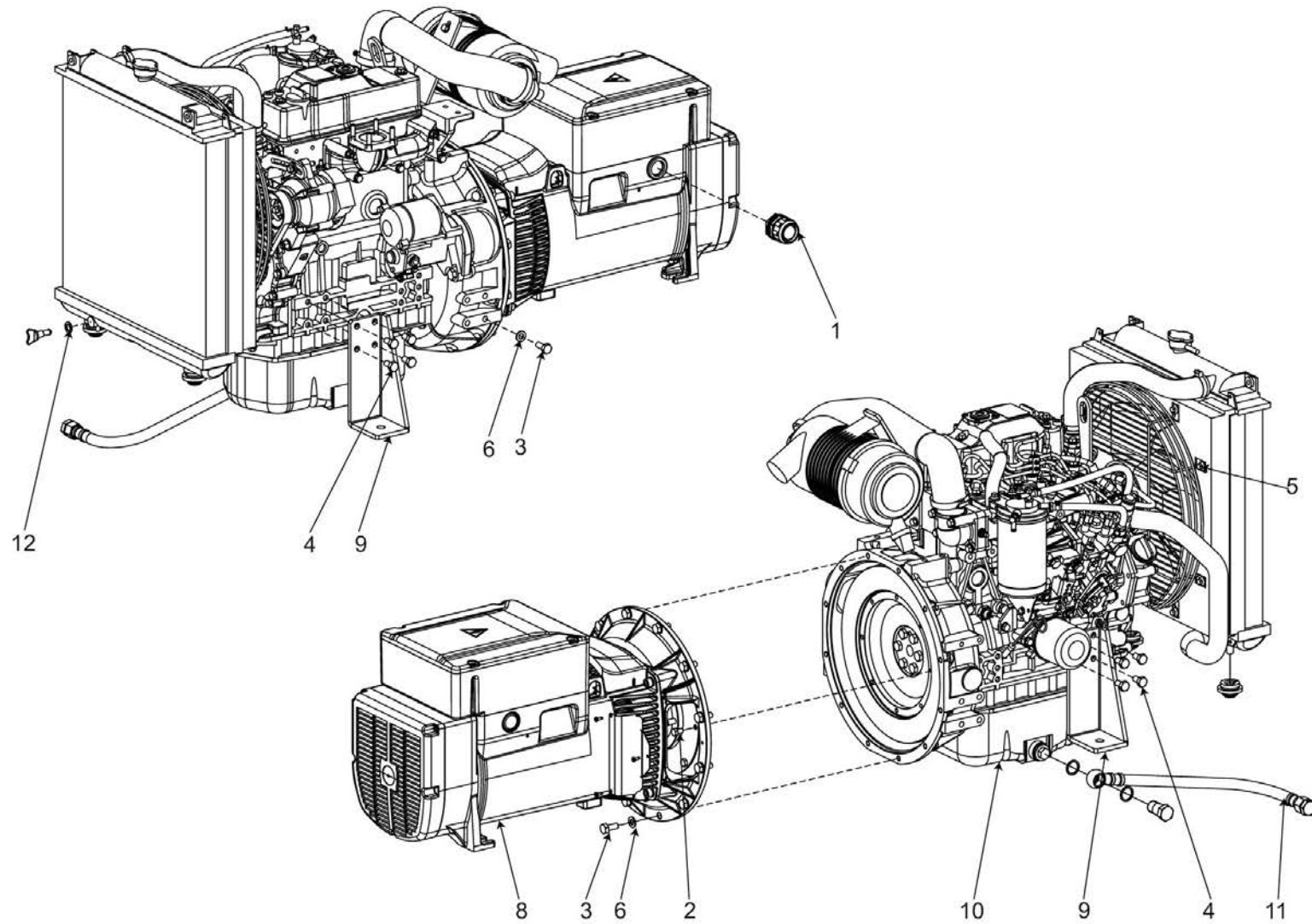
Pos.	Id	Q.ty	Description	Note
1	M6001150	1	SCREW TE ISO 4017 M8X25	
2	M6001180	1	SCREW TE ISO 4017 M4X16	
3	M6001190	1	SCREW TE ISO 4017 M8X30	
4	M6001400	1	VITE TE ISO 4017 M10X25 8.8 ZN	
5	M6005030	1	SCREW TE C/F ENI1662 M5X16	
6	M6005040	1	SCREW TE C/F ENI1662 M6X16	
7	M6010050	1	VITE TBCE ISO7380 M6x16 10.9ZN	
8	M6022060	1	NUT M8 UNI5588 6S	
9	M6022080	1	NOUT M10 UNI5588 6S	
10	M6035020	1	WASHER	
11	M6035040	1	WASHER	
12	M6035050	1	WASHER 10,5X21 UNI 6592 R40	
13	M6036070	1	RONDELLA ISO7093-2-10-100HV ZN	
15	M307012037	1	PROTECTION, VIBRATION-DAMPER	
16	M400409154	1	BRACKET	
17	M741652276	1	RACCORDO PORTAGOMMA M3/8 G D10	
18	M773721035	1	VIBRATION-DAMPING 50x50 M/M-M10	
19	M773749150	1	BATTERY 12V 60AH	
21	M840951262	1	TAPPO 1 GAS (CONICO)	
22	M841652278	1	RONDELLA GUARNIZ.D17,5/24 SP.2	
23	M841657032	1	PLATE	
24	M842252026	1	TANK CAP	
26	M849001262	1	TAPPO MASCHIO ESAGONALE 3/8 G	
27	M849002025	1	RUBINETTO M-F 3/8 G	
28	M849003101	1	ALTERNATOR SUPPORT BRACKET	
29	M849051050	1	CRANKCASE	
30	M849051296	1	FONDO BASAMENTO	
31	M849052020	1	FUEL TANK (350 L)	
32	M849052050	1	MUFFLER	



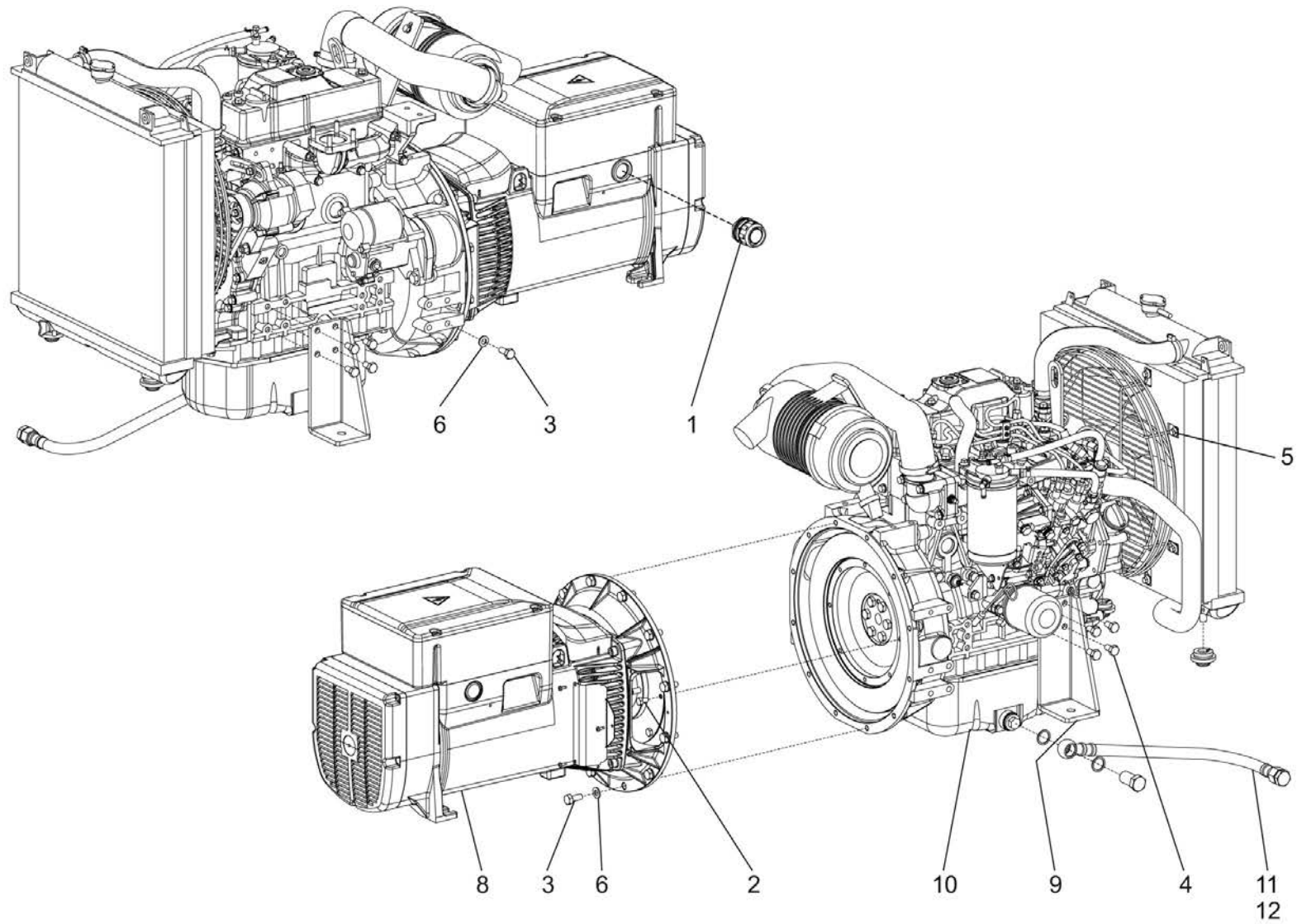
A.01.06.C0003\_00 - ENGINE - ALTERNATOR SET ON BASE (350I)



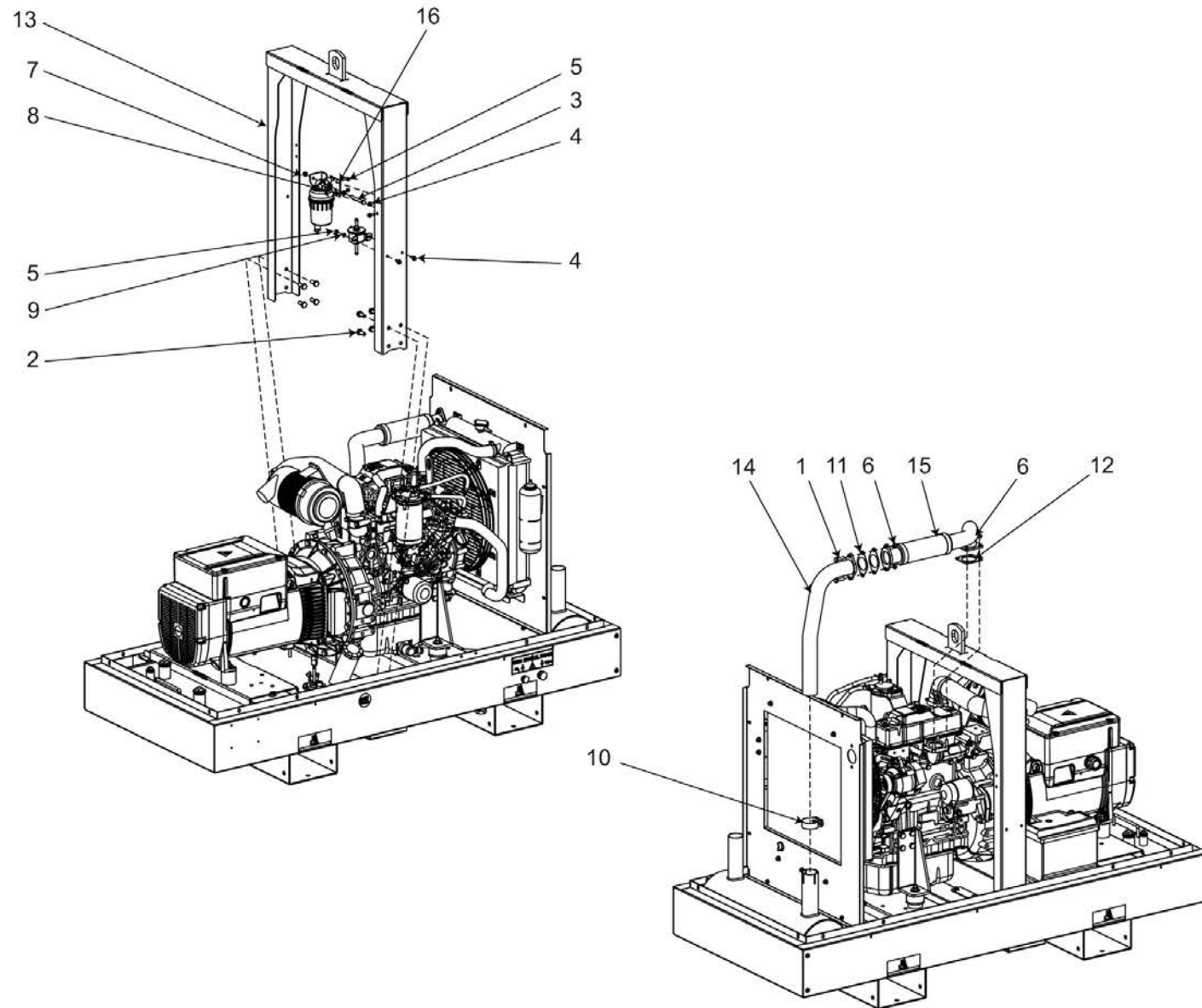
Pos.	Id	Q.ty	Description	Note
33	M849102147	1	STAFFA FISS.PRE-FILTRO GASOLIO	
34	M849102158	1	STAFFA FISSAGGIO SERBATOIO	
35	M849108215	1	ENGINE AIR EXHAUST SITE	
36	M849108370	1	STAFFA SOSTEGNO RADIATORE	
37	M849109975	1	FUEL LEVEL SENSOR	
39	MJJ0062025	1	OIL TAP	
40	MJJ0062292	1	NIPPLE	
41	M105112270	1	STRIP, SEALING (L=MT.1)	



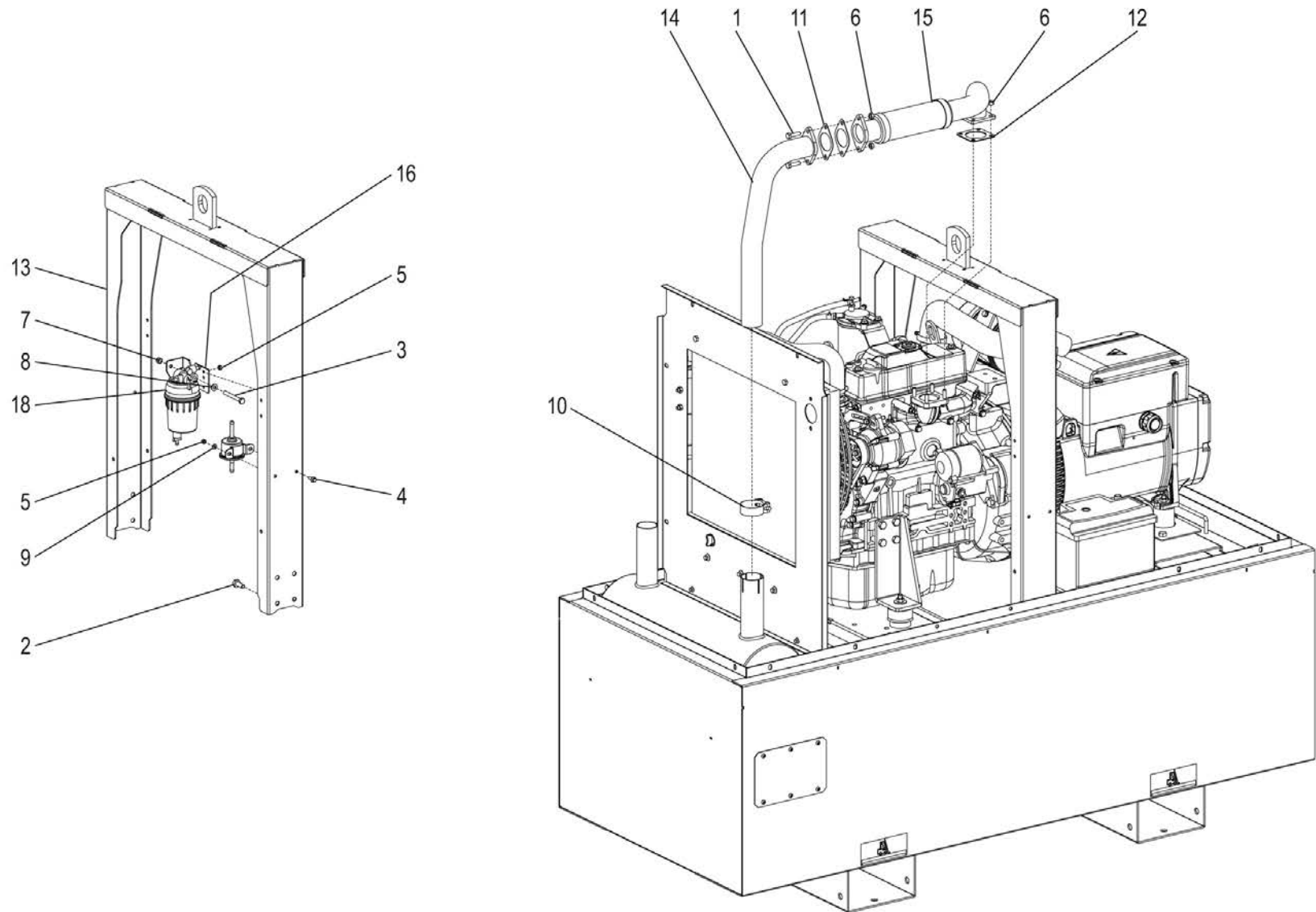
Pos.	Id	Q.ty	Description	Note
1	M1297140	1	PRESSACAVO Di 28 - 1 G	
2	M6001210	1	SCREW TE ISO 4017 M8X14	
3	M6001400	1	VITE TE ISO 4017 M10X25 8.8 ZN	
4	M6001510	1	SCREW TE ISO 4017 M10X20	
5	M6005030	1	SCREW TE C/F ENI1662 M5X16	
6	M6035050	1	WASHER 10,5X21 UNI 6592 R40	
8	M842503100	1	ALTERNATOR	
9	M849102034	1	ENGINE SUPPORT BRACKET	
10	4AF20000	1	MOTORE YANMAR 3TNV88-BGMF	
11	M849102212	1	EXHAUST OIL PIPE	
12	M849102278	1	RONDELLA GUARNIZ.D12,5/20 SP.2	



Pos.	Id	Q.ty	Description	Note
1	M1297140	1	PRESSACAVO Di 28 - 1 G	
2	M6001210	1	SCREW TE ISO 4017 M8X14	
3	M6001400	1	VITE TE ISO 4017 M10X25 8.8 ZN	
4	M6001510	1	SCREW TE ISO 4017 M10X20	
5	M6005040	1	SCREW TE C/F ENI1662 M6X16	
6	M6035050	1	WASHER 10,5X21 UNI 6592 R40	
8	M842503100	1	ALTERNATOR	x GE 15 YSX
9	M849102034	1	ENGINE SUPPORT BRACKET	
10	4AF20000	1	MOTORE YANMAR 3TNV88-BGMF	
11	M849102212	1	EXHAUST OIL PIPE	x GE 15 YSX
12	M749102212	1	EXHAUST OIL PIPE	x GE 15 YSXC

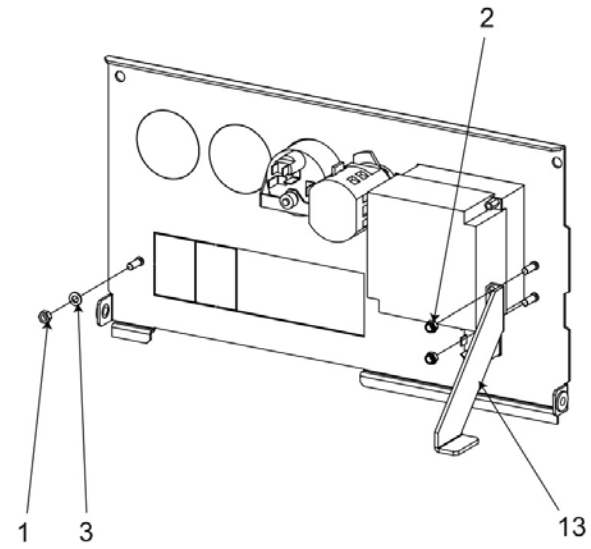
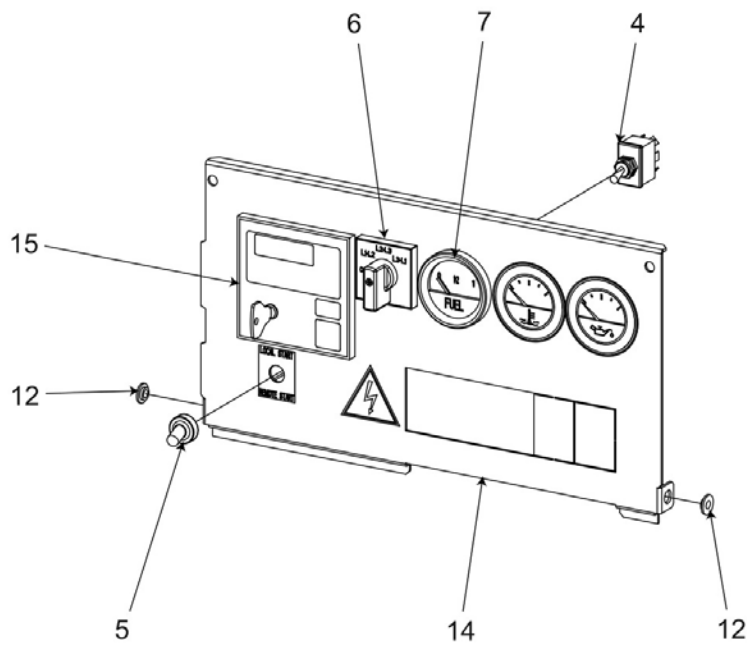


Pos.	Id	Q.ty	Description	Note
1	M6001190	1	SCREW TE ISO 4017 M8X30	
2	M6001400	1	VITE TE ISO 4017 M10X25 8.8 ZN	
3	M6001640	1	VITE TE ISO 4014 M8X70 8.8 ZN	
4	M6005040	1	SCREW TE C/F ENI1662 M6X16	
5	M6022040	1	NUT M6 UNI5588 6S	
6	M6022060	1	NUT M8 UNI5588 6S	
7	M6028040	1	NUT	
8	M6035040	1	WASHER	
9	M6035060	1	WASHER	
10	M6087190	1	COLLARE STRINGITUBO 52-55	
11	M305232071	1	GASKET	
12	M841552071	1	GUARNIZ.SCARICO MOTORE 3TNE88	
13	M849001100	1	ROLL BAR	
14	M849002081	1	EXHAUST PIPE	
15	M849100566	1	KIT, EXHAUST PIPE	
16	M849102241	1	STAFFA SUPP.FILTRO CARBURANTE	

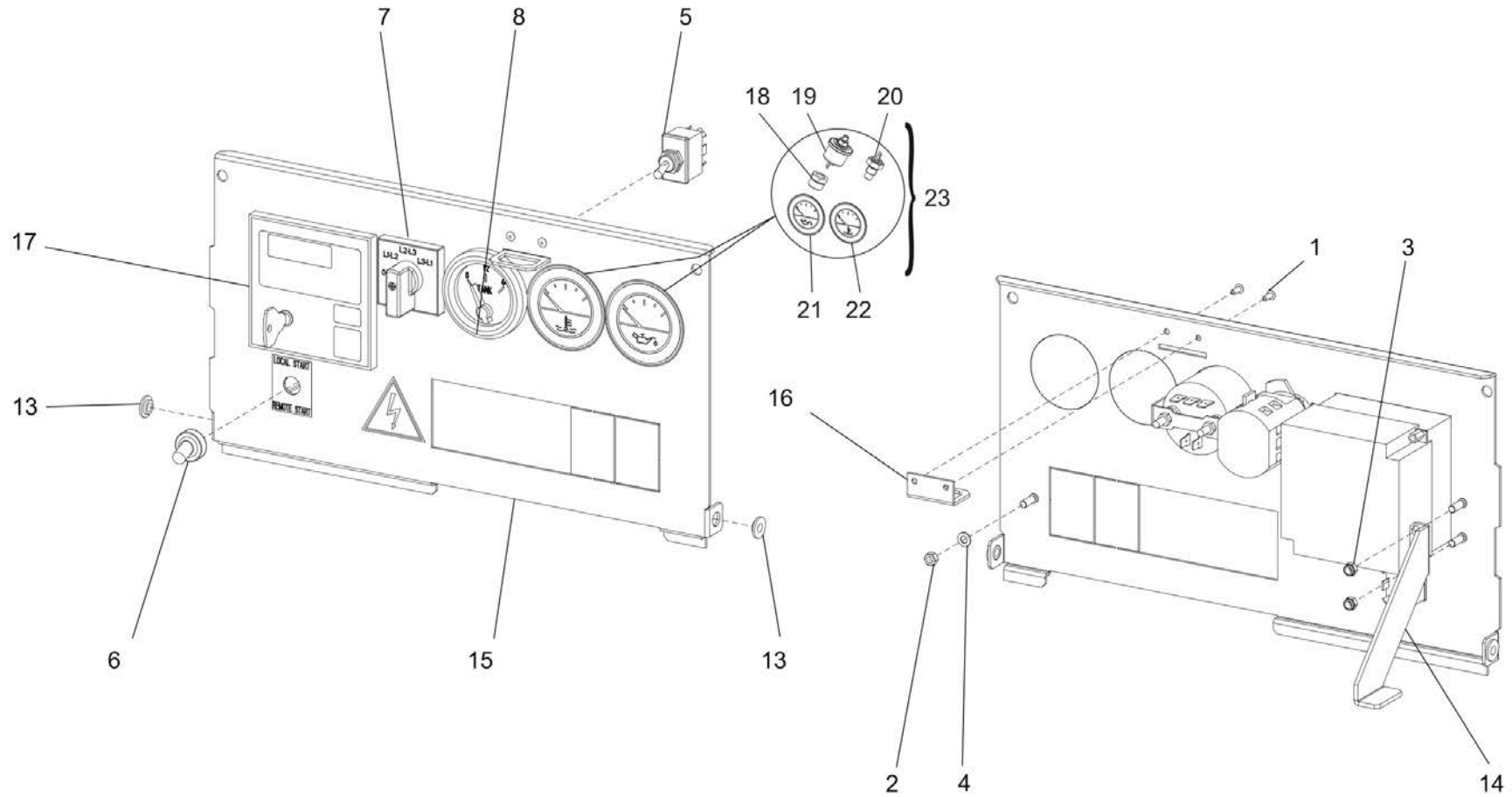


Pos.	Id	Q.ty	Description	Note
1	M6001190	1	SCREW TE ISO 4017 M8X30	
2	M6001400	1	VITE TE ISO 4017 M10X25 8.8 ZN	
3	M6001640	1	VITE TE ISO 4014 M8X70 8.8 ZN	
4	M6005040	1	SCREW TE C/F ENI1662 M6X16	
5	M6022040	1	NUT M6 UNI5588 6S	
6	M6022060	1	NUT M8 UNI5588 6S	
7	M6028040	1	NUT	
8	M6035040	1	WASHER	
9	M6035060	1	WASHER	
10	M6087190	1	COLLARE STRINGITUBO 52-55	
11	M305232071	1	GASKET	
12	M841552071	1	GUARNIZ.SCARICO MOTORE 3TNE88	
13	M849001100	1	ROLL BAR	
14	M849002081	1	EXHAUST PIPE	
15	M849100566	1	KIT, EXHAUST PIPE	
16	M849102241	1	STAFFA SUPP.FILTRO CARBURANTE	
18	M841562228	1	FILTER, WATER SEPARATOR	

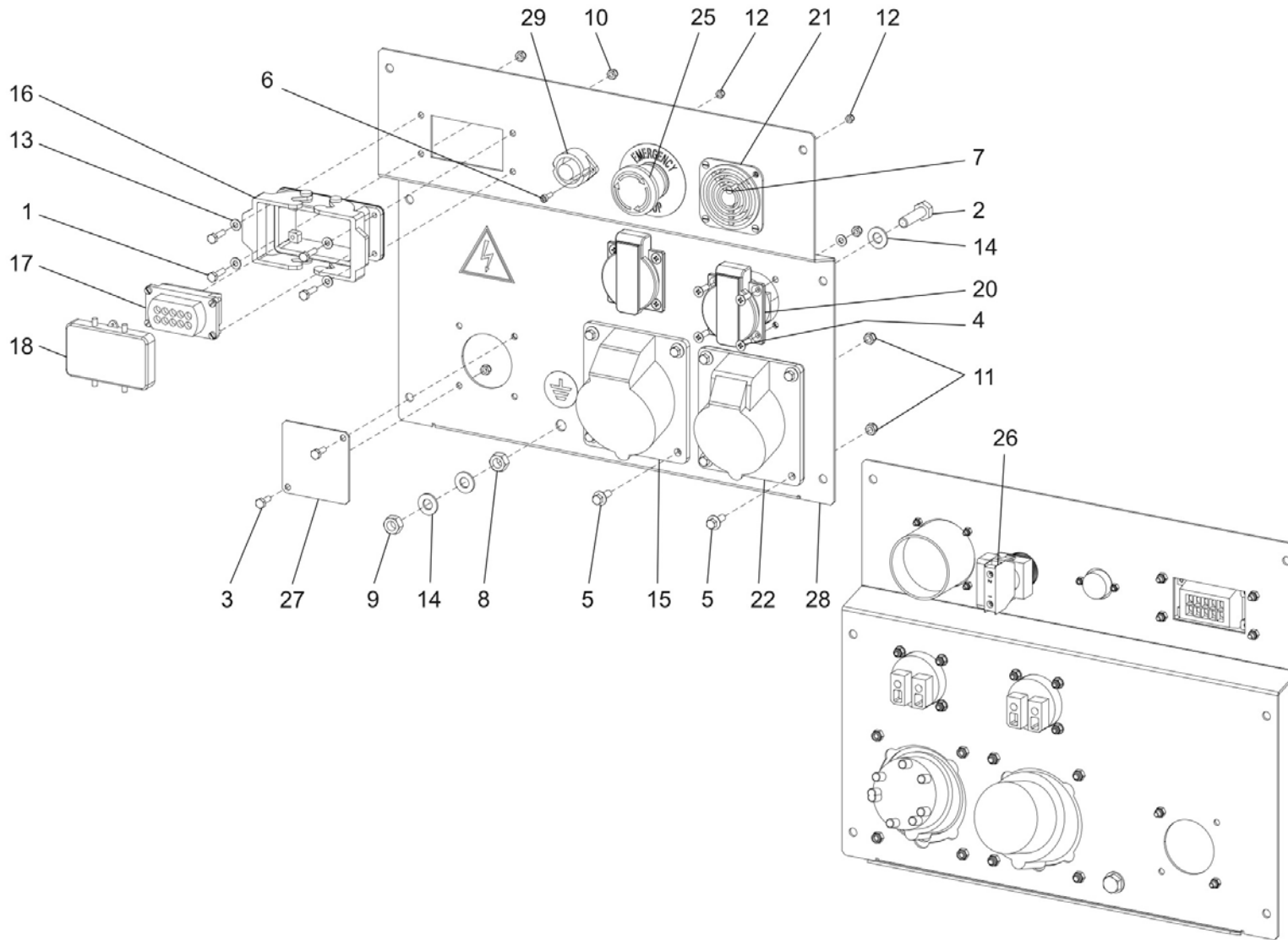
### C.06.00.C0003\_0 - FRONT PANEL SET, COMPONENTS (UPPER)



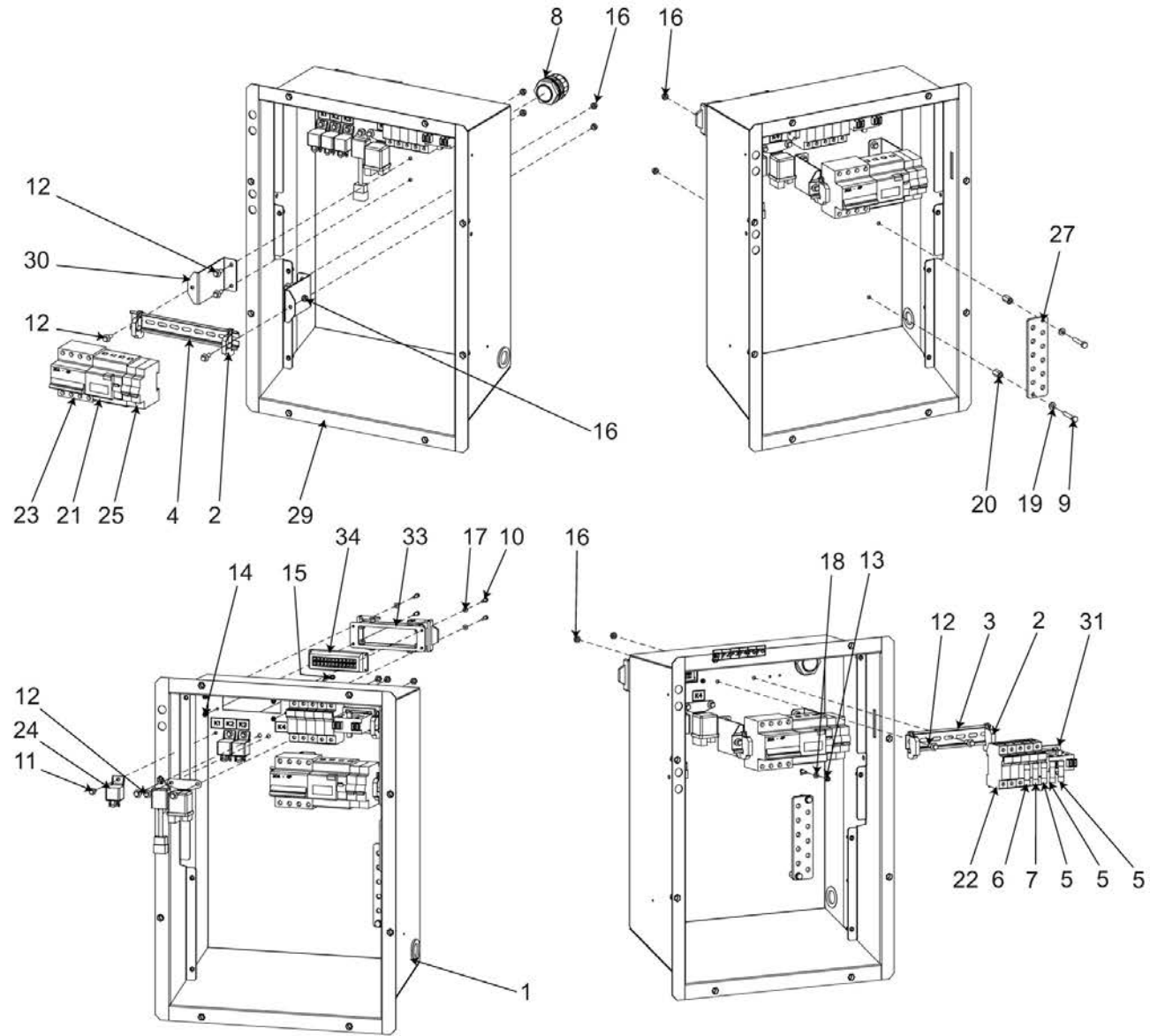
Pos.	Id	Q.ty	Description	Note
1	M6022030	1	NUT M5 UNI5588 6S	
2	M6028020	1	NUT	
3	M6035030	1	WASHER	
4	M102013290	1	COMMUTATOR	
5	M102042740	1	CAP	
6	M305717315	1	COMMUTATOR	
7	M325507210	1	FUEL LEVEL GAUGE	
12	M773815043	1	INSULATING BUSH	
13	M843057021	1	STAFFA FERMO PANNELLO FRONTALE	
14	M849007020	1	FRONT PANEL	
15	MJK0029770	1	ENGINE CONTROL UNIT EP6	



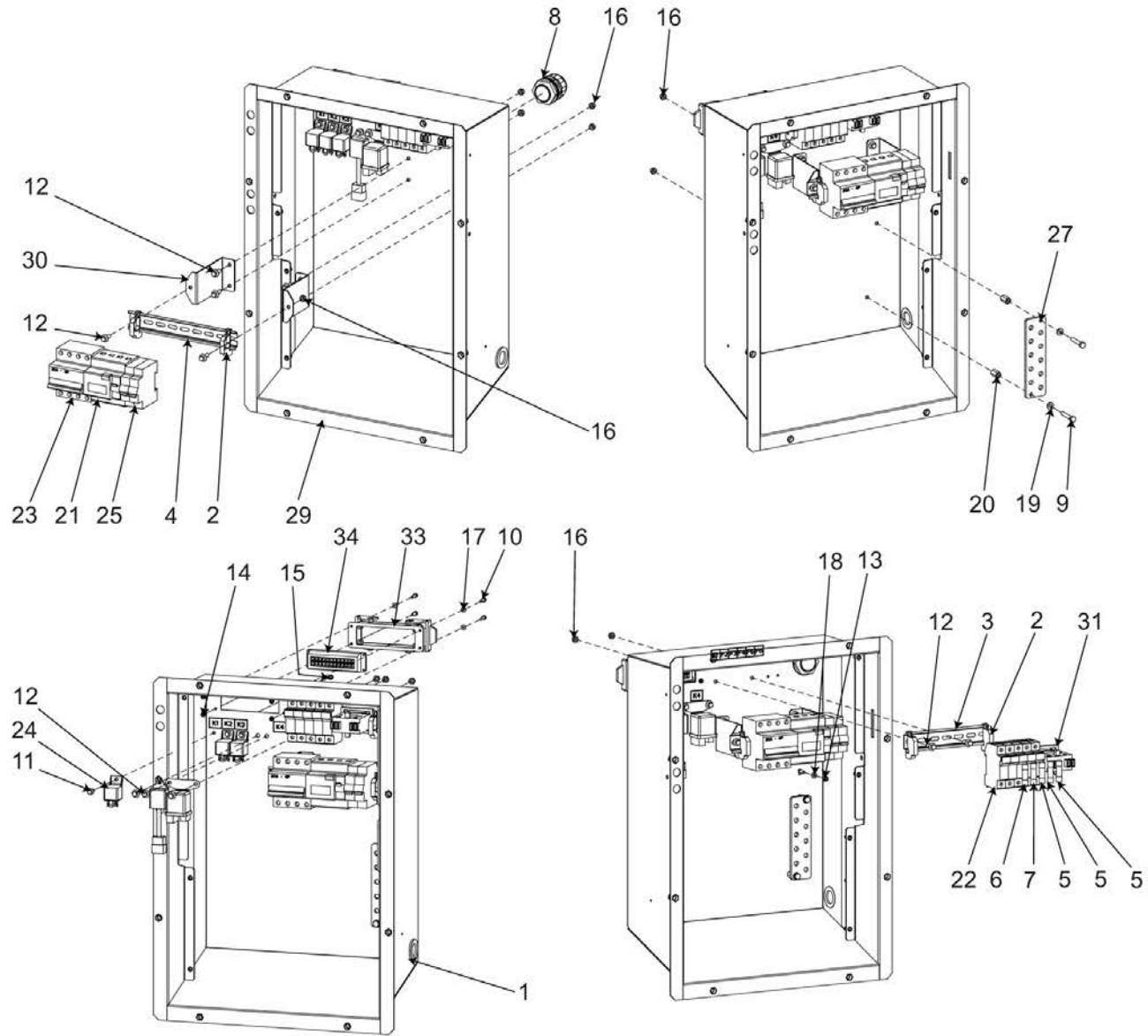
Pos.	Id	Q.ty	Description	Note
5	M102013290		COMMUTATOR	
6	M102042740		CAP	
1	M1039010		RIVET	
7	M305717315		COMMUTATOR	
8	M325507210		FUEL LEVEL GAUGE	
2	M6022030		NUT M5 UNI5588 6S	
3	M6028020		NUT	
4	M6035030		WASHER	
13	M773815043		INSULATING BUSH	
20	M842142245		SENSORE TEMP. 40/120°C M16x1.5	
14	M843057021		STAFFA FERMO PANNELLO FRONTALE	
15	M849007020		FRONT PANEL	
16	M849007024		SQUADRETTA APERTURA SPORTELLLO	
22	M849200094		MG8 KIT TERMO/MANOMETRO MG8 GAUGE KIT	
19	MJJ0062252		SENDER	
18	MJJ0062253		RIDUZIONE M14x1,5-1/8 27 NPTF	
21	MJJ0067190		GAUGE OIL PRESSURE	
17	MJK0029770		ENGINE CONTROL UNIT EP6	



Pos.	Id	Q.ty	Description	Note
15	M105111510		EEC SOCKET THREE-PHASE 380V	
16	M105191550		BOX, EAS SOCKET	
17	M105191560		SOCKET, EAS	
18	M105191570		BLIND PLATE, EAS SOCKET	
29	M107509903		SOCKET	
20	M218097241		SOCKET SCHUKO 16A 230V 2P+T	
21	M315507215		ACOUSTIC ALARM SYSTEM	
22	M372997270		EEC SOCKET 16A 400V 3P+N+T	
1	M6001180		SCREW TE ISO 4017 M4X16	
2	M6001190		SCREW TE ISO 4017 M8X30	
3	M6001550		SCREW TE ISO 4017 M4X12	
4	M6003040		SCREW TSP M4X14-4.8-H	
5	M6005020		SCREW TE C/F ENI1662 M5X14	
6	M6008250		SCREW TCEI M3X10 UNI 5931	
7	M6019010		SCREW TSP M3X12 UNI 6109	
8	M6022060		NUT M8 UNI5588 6S	
9	M6025020		NUT M 8 UNI5588	
10	M6028010		NUT	
11	M6028020		NUT	
12	M6028110		NUT	
13	M6035020		WASHER	
14	M6035040		WASHER	
25	M744507219		EMERGENCY PUSH BUTTON STOP	
26	M744507237		CONTACT N.C.	
27	M849007032		COPERCHIO CHIUSURA FORO SCALD.	
28	M849057065		SOCKETS HOLDER FRONT PANEL	

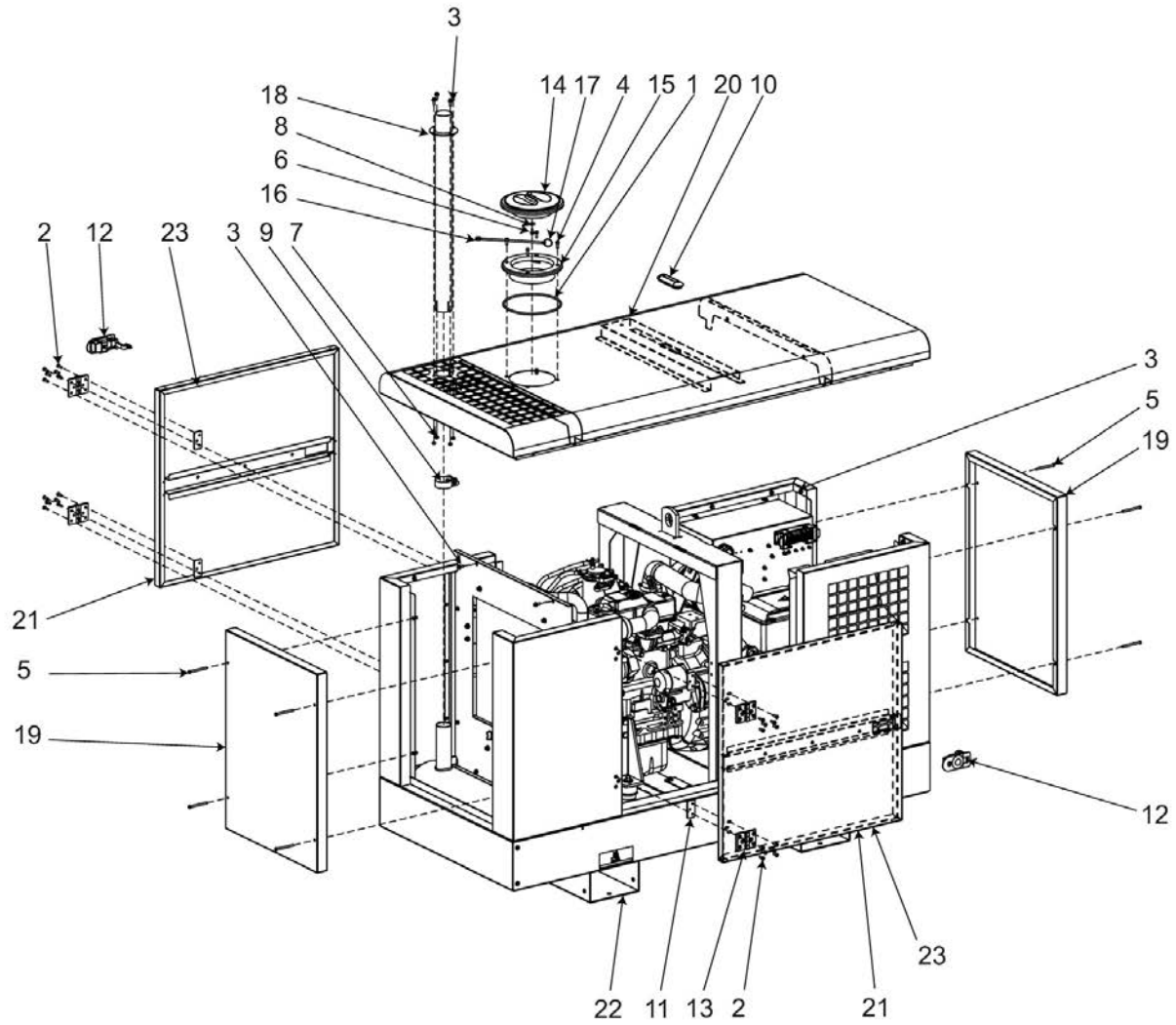


Pos.	Id	Q.ty	Description	Note
1	M1031020	1	PASSACAVO CON MEMBRANA x D30	
2	M1241010	1	SMALL PLATE	
3	M1243020	1	TERMINAL GUIDE	
4	M1243020	1	TERMINAL GUIDE	
5	M1291190	1	FUSE 10,3X38 2A/500V	
6	M1291220	1	FUSE 10,3X38 4A/500V	
7	M1291300	1	FUSE 10,3X38 32A/400V aM	
8	M1297140	1	PRESSACAVO Di 28 - 1 G	
9	M6001070	1	SCREW TE ISO 4017 M6X35	
10	M6001180	1	SCREW TE ISO 4017 M4X16	
11	M6005020	1	SCREW TE C/F ENI1662 M5X14	
12	M6005040	1	SCREW TE C/F ENI1662 M6X16	
13	M6022030	1	NUT M5 UNI5588 6S	
14	M6028010	1	NUT	
15	M6028020	1	NUT	
16	M6028070	1	NUT	
17	M6035020	1	WASHER	
18	M6035030	1	WASHER	
19	M6035060	1	WASHER	
20	M101041540	1	SPACER	
21	M105111540	1	GROUNDFAULT INTERRUPTOR (GFI)	
22	M107509045	1	FUSE HOLDER	
23	M305209705	1	CIRCUIT BREAKER	
24	M306479199	1	RELAY, ELECTRIC START	
25	M734507325	1	CIRCUIT BREAKER 16A 1P+NEUTRAL	
27	M840399351	1	BARRA CONTATTI MASSA	
29	M849007010	1	ELECTRICAL BOX	
30	M849007077	1	STAFFA SUPPORTO BARRA OMEGA	
31	M849057306	1	TRANSFORMER 60/5A	



Pos.	Id	Q.ty	Description	Note
33	M744507170	1	CONN.16A 400V 24P CUST.FISSA	
34	M744507171	1	CONN.16A 400V 24P FRUTTO PRESA	

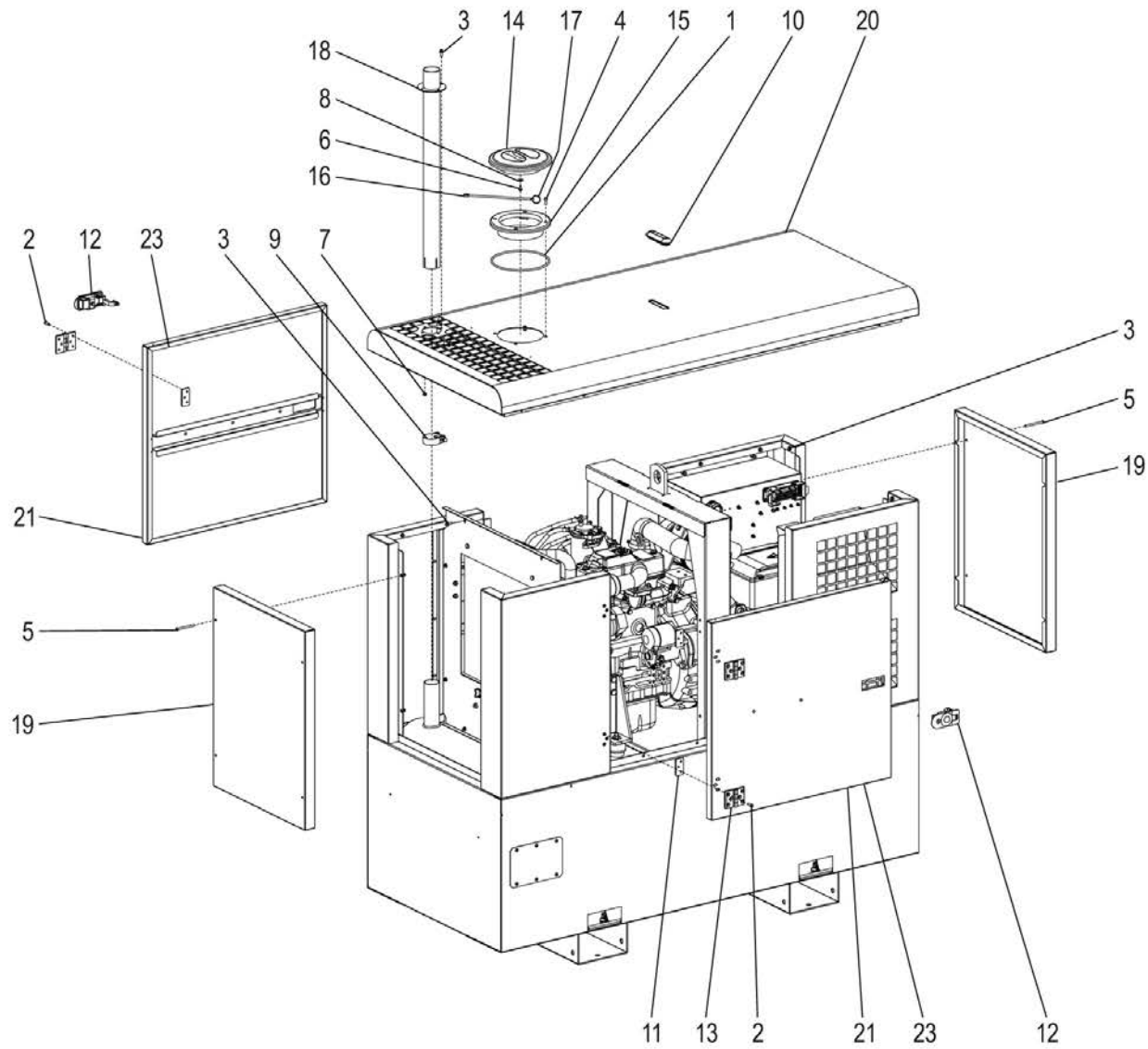




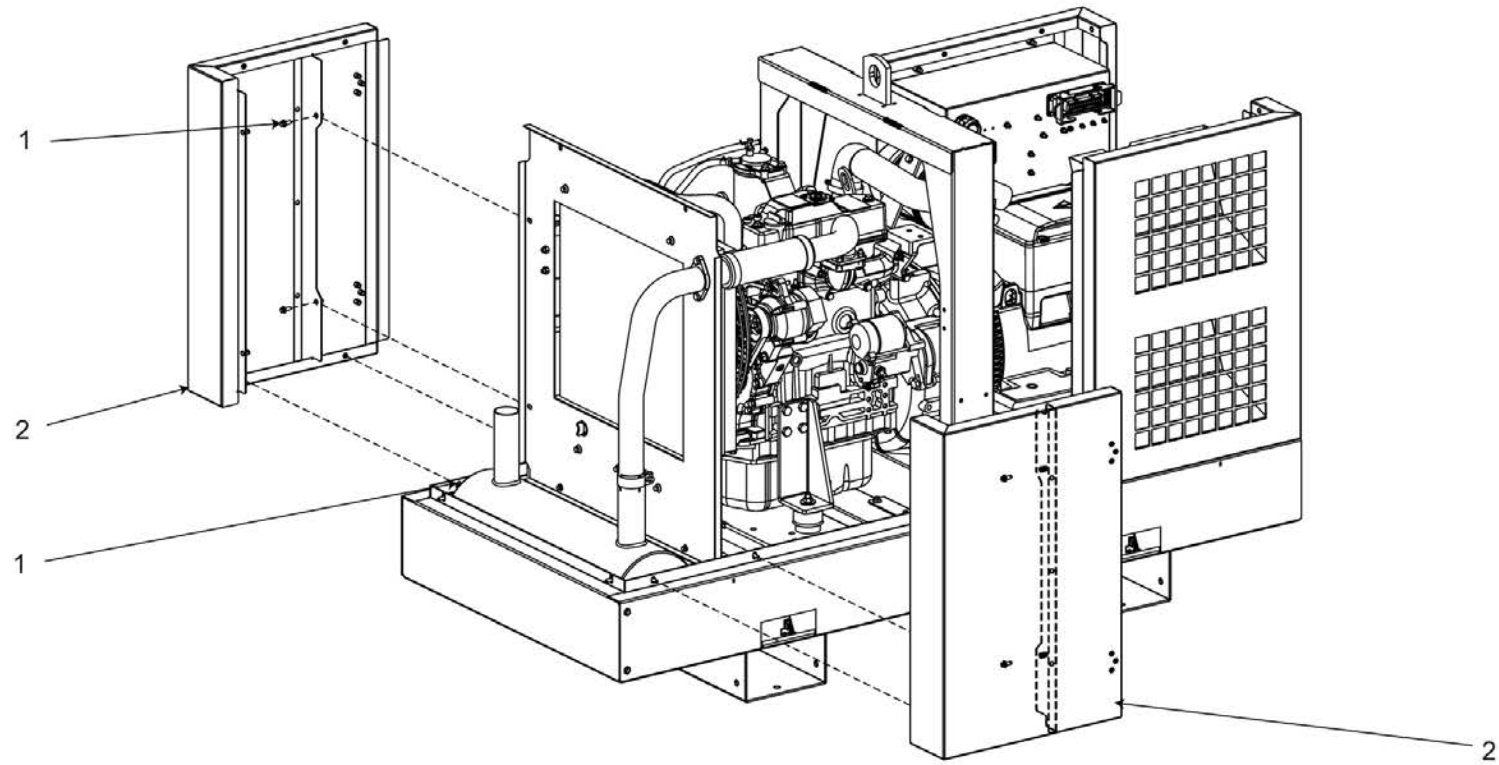
Pos.	Id	Q.ty	Description	Note
1	M1018130	1	O-RING 6720 (183,51x5,34)	
2	M6003060	1	SCREW TSP M6X20-8.8-H	
3	M6005040	1	SCREW TE C/F ENI1662 M6X16	
4	M6008330	1	VITE TCEI M6X16 UNI5931 8.8 ZN	
5	M6010020	1	VITE TBCE ISO7380 M6x70 10.9ZN	
6	M6020520	1	SCREW	
7	M6028070	1	NUT	
8	M6036030	1	WASHER	
9	M6087190	1	COLLARE STRINGITUBO 52-55	
10	M273112022	1	GUARNIZIONE PER ROLL-BAR	
11	M343338142	1	FIXING PLATE FOR HINGE	
12	M744508136	1	PUSH HANDLE WITH KEY	
13	M744508140	1	RH HINGE	
14	M841658360	1	RADIATOR COVER CAP	
15	M841658361	1	FLANGE, AIR-TIGHT SEALED COVER	
16	M841659357	1	TIE-ROD	
17	M841659358	1	DOUBLE RING	
18	M849002078	1	EXHAUST PIPE CONNECTOR	
19	M849008035	1	FRONT CANOPY	
20	M849008091	1	CANOPY, UPPER	
21	M849008428	1	SIDE PANEL, MIDDLE	
22	M309509005	1	GASKET	



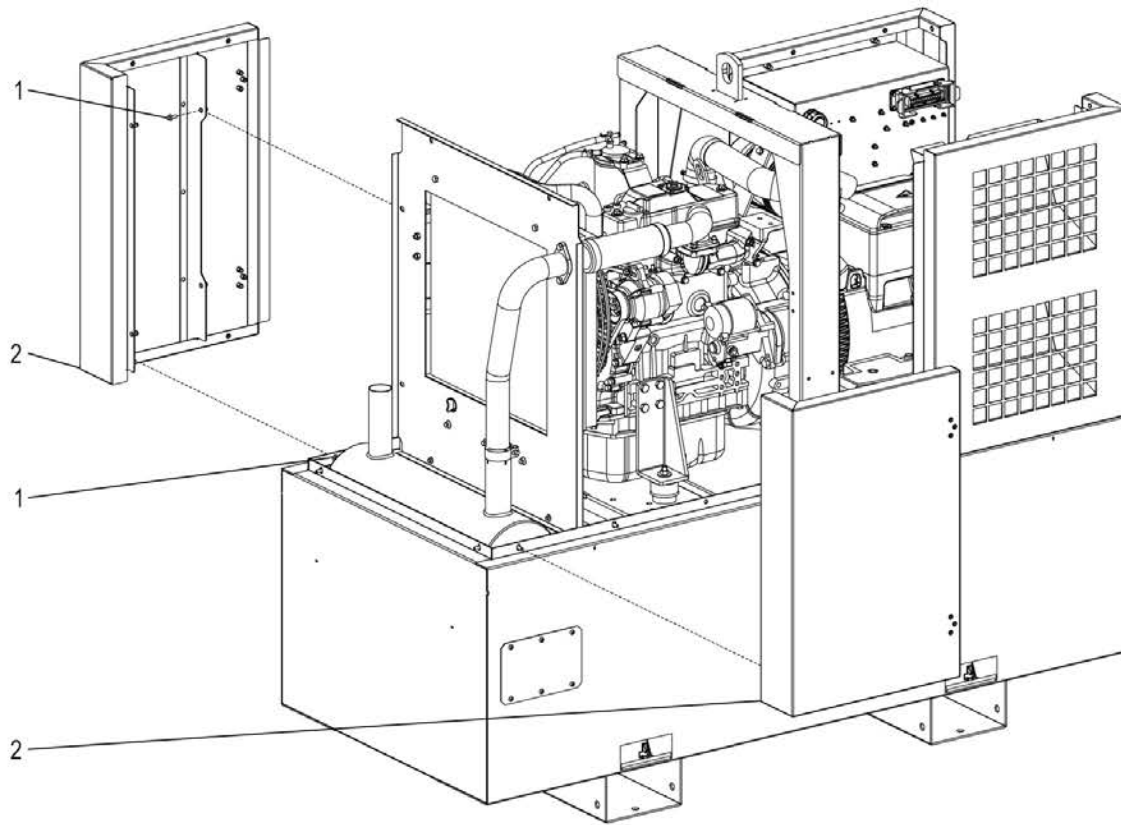
E.01.01.C0003\_00 - CANOPY SET (350l)



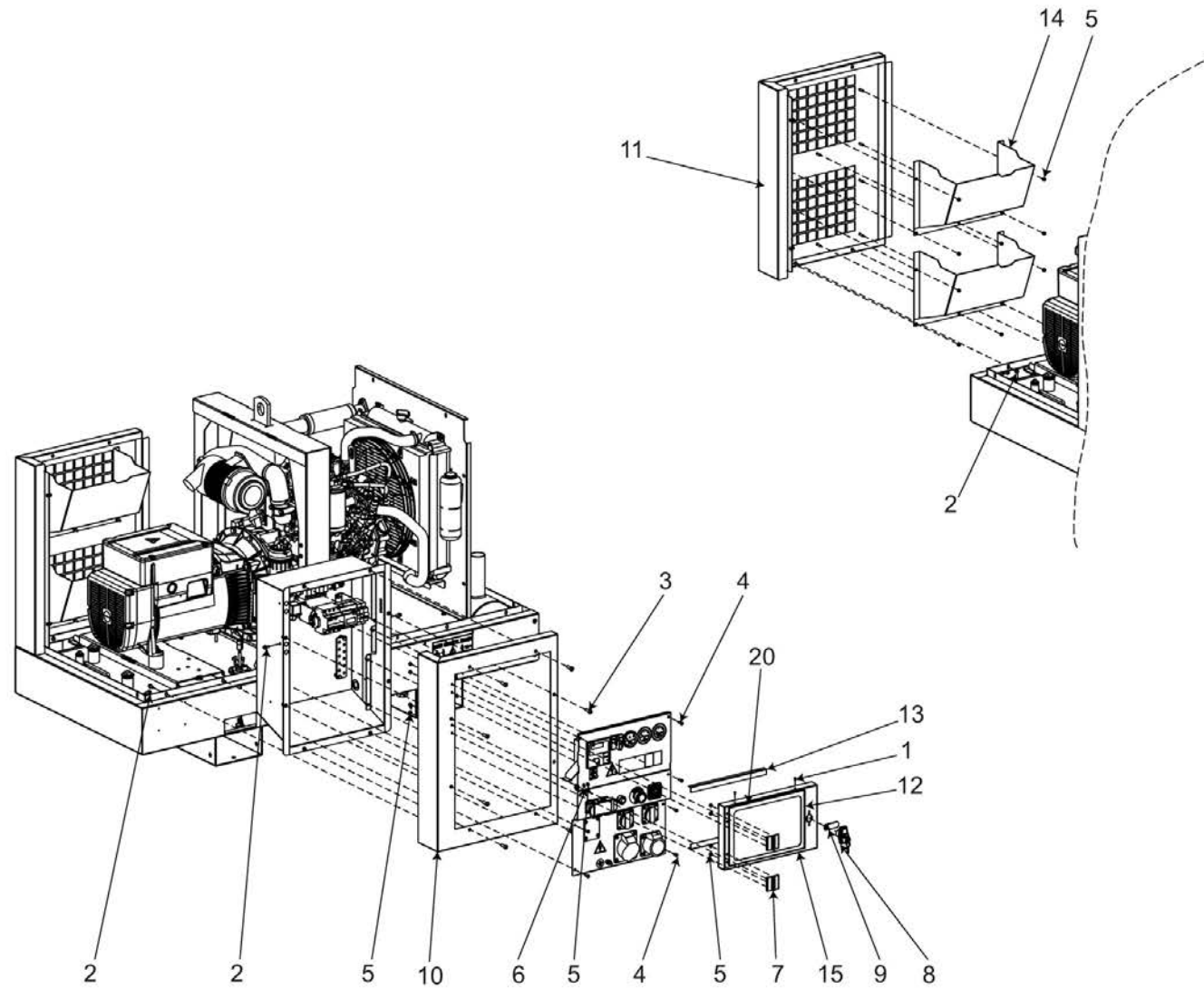
Pos.	Id	Q.ty	Description	Note
1	M1018130	1	O-RING 6720 (183,51x5,34)	
2	M6003060	1	SCREW TSP M6X20-8.8-H	
3	M6005040	1	SCREW TE C/F ENI1662 M6X16	
4	M6008330	1	VITE TCEI M6X16 UNI5931 8.8 ZN	
5	M6010020	1	VITE TBCE ISO7380 M6x70 10.9ZN	
6	M6020520	1	SCREW	
7	M6028070	1	NUT	
8	M6036030	1	WASHER	
9	M6087190	1	COLLARE STRINGITUBO 52-55	
10	M273112022	1	GUARNIZIONE PER ROLL-BAR	
11	M343338142	1	FIXING PLATE FOR HINGE	
12	M744508136	1	PUSH HANDLE WITH KEY	
13	M744508140	1	RH HINGE	
14	M841658360	1	RADIATOR COVER CAP	
15	M841658361	1	FLANGE, AIR-TIGHT SEALED COVER	
16	M841659357	1	TIE-ROD	
17	M841659358	1	DOUBLE RING	
18	M849002078	1	EXHAUST PIPE CONNECTOR	
19	M849008035	1	FRONT CANOPY	
20	M849008091	1	CANOPY, UPPER	
21	M849008428	1	SIDE PANEL, MIDDLE	
23	M309509005	1	GASKET	



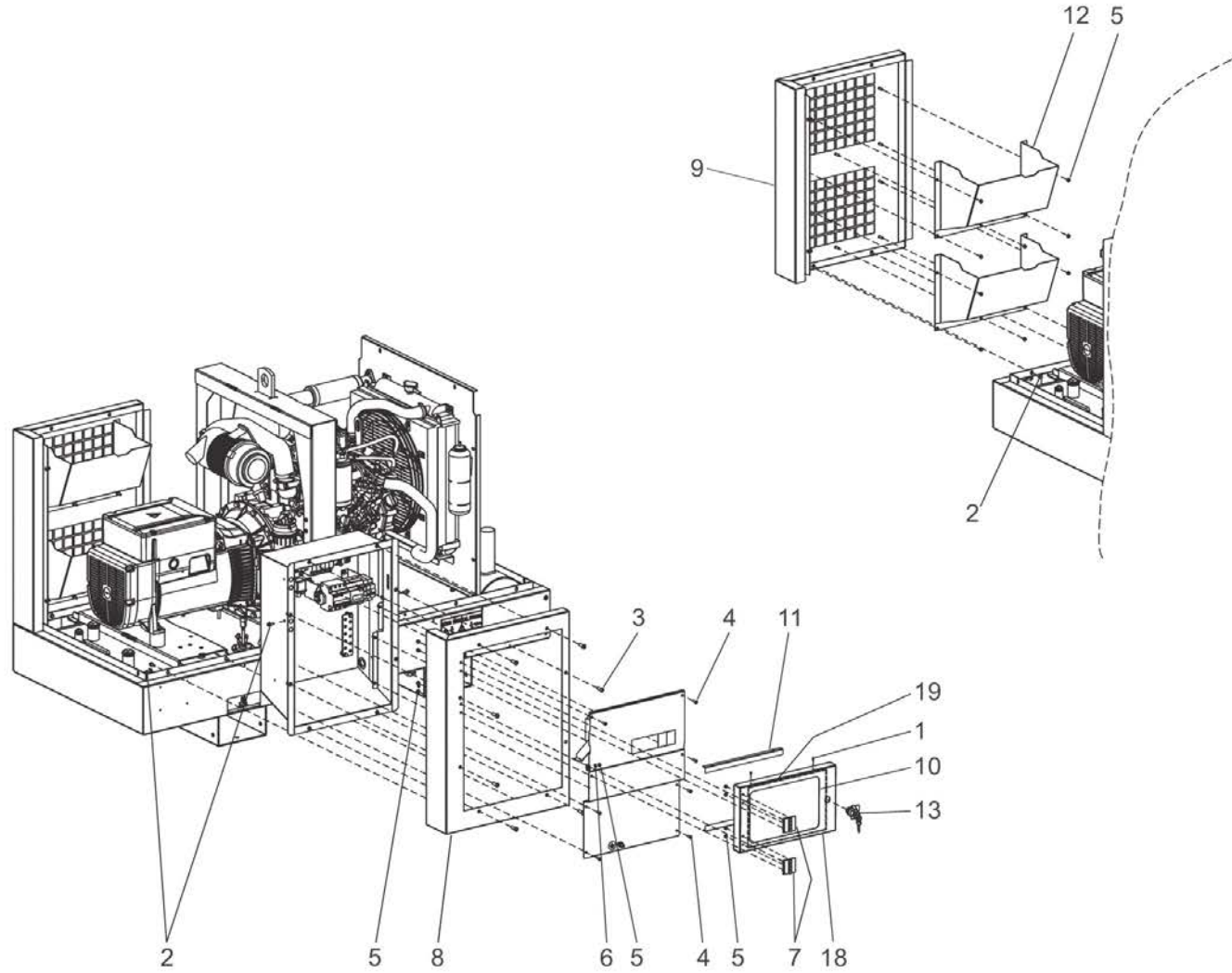
Pos.	Id	Q.ty	Description	Note
1	M6005040	1	SCREW TE C/F ENI1662 M6X16	
2	M849008025	1	FIANCATA CARENATURA POSTERIORE	



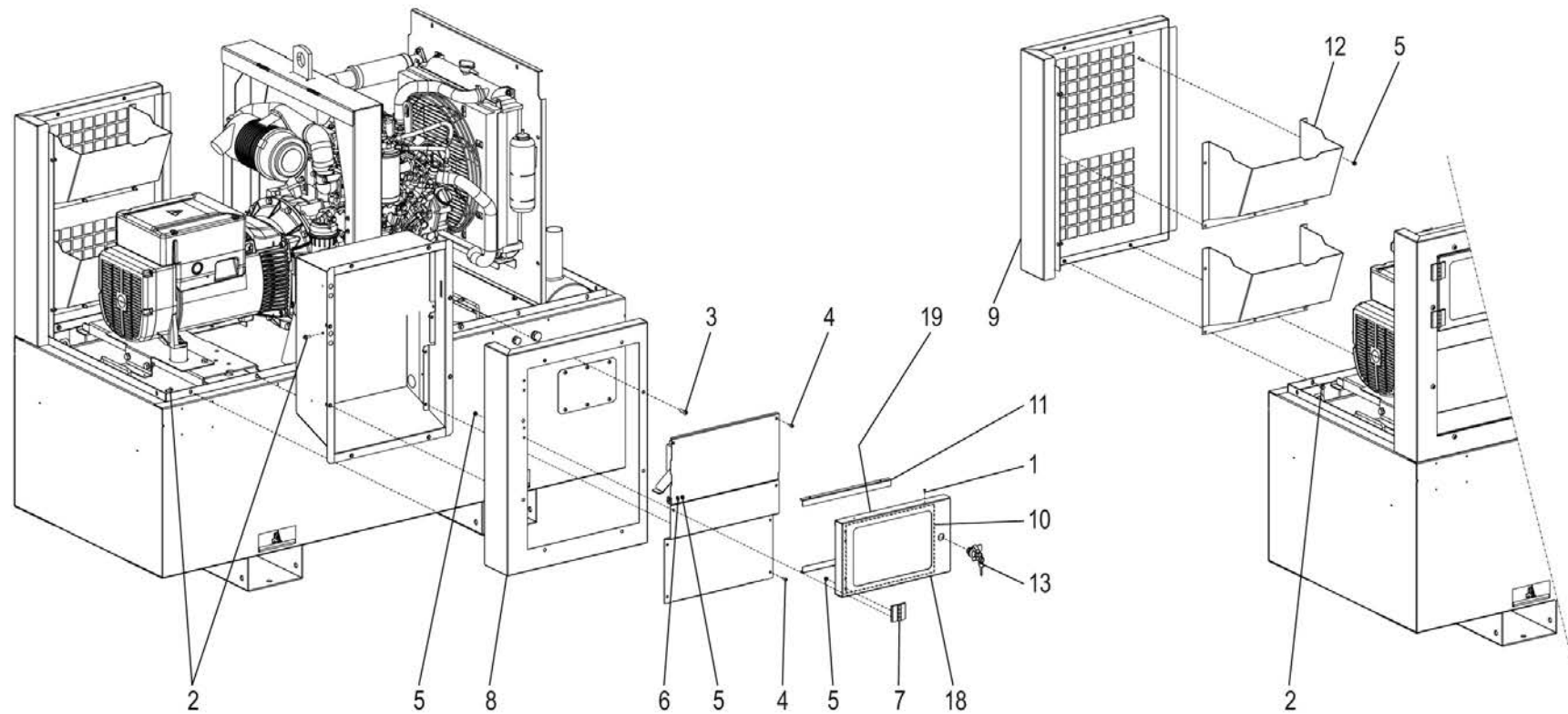
Pos.	Id	Q.ty	Description	Note
1	M6005040	1	SCREW TE C/F ENI1662 M6X16	
2	M849008025	1	FIANCATA CARENATURA POSTERIORE	



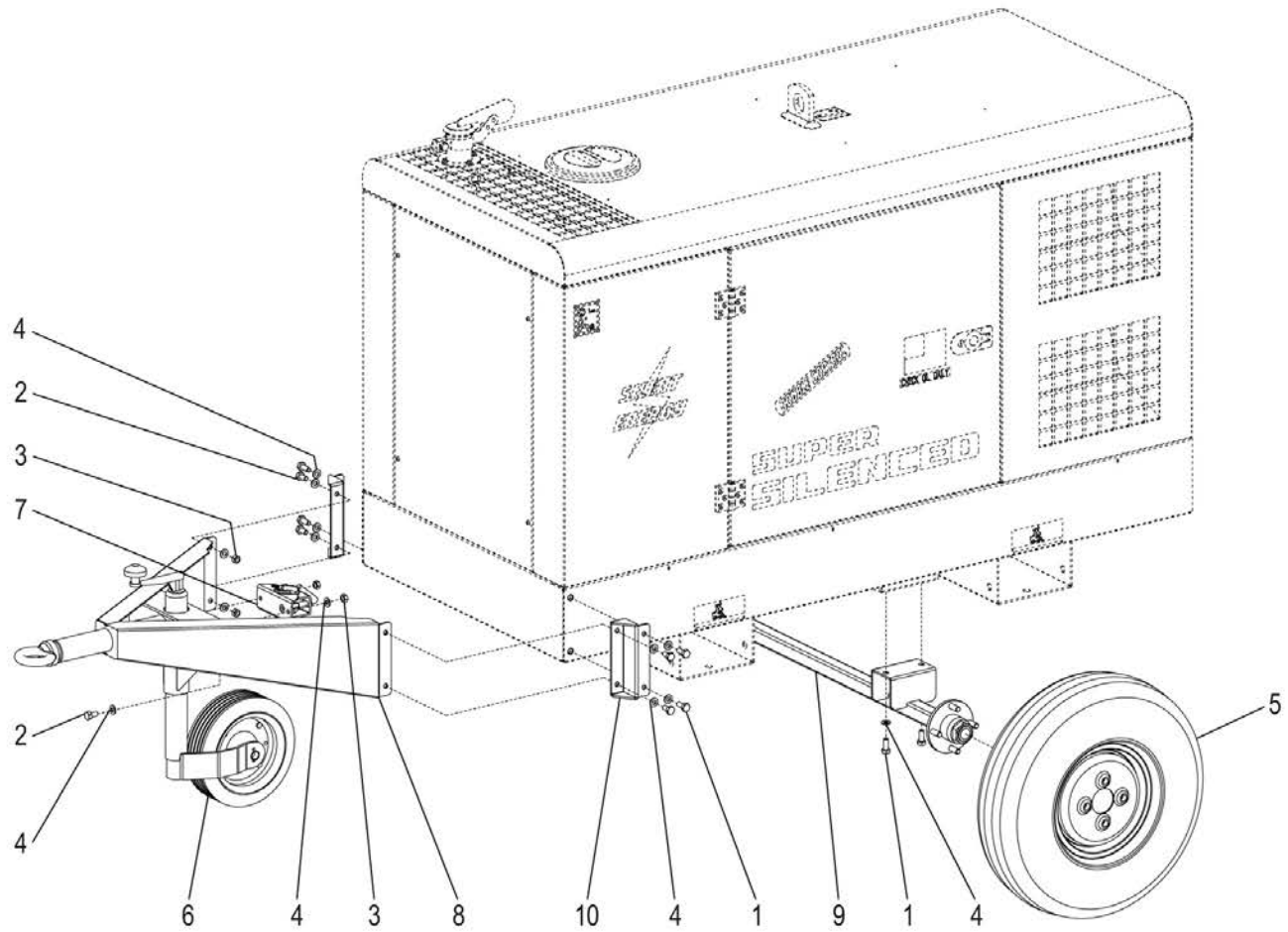
Pos.	Id	Q.ty	Description	Note
1	M1039040	1	RIVETTO A STRAPPO A-3,4-7ROSSOP-AlMg 2,5 - UNI 9200 RAL3000	
2	M6005040	1	SCREW TE C/F ENI1662 M6X16	
3	M6010030	1	VITE TBCE ISO7380 M8x25 10.9ZN	
4	M6010050	1	VITE TBCE ISO7380 M6x16 10.9ZN	
5	M6028070	1	NUT	
6	M6035060	1	WASHER	
7	M273118140	1	RH HINGE	
8	M843058136	1	PUSH HANDLE WITH KEY	
9	M843058137	1	LEVER, PUSH HANDLE	
10	M849008003	1	PANEL, RIGHT FRONT CANOPY	
11	M849008004	1	PANEL, LEFT FRONT CANOPY	
12	M849008089	1	PLASTIC PANEL	
13	M849008090	1	BRACKET	
14	M849008095	1	CASSONETTO ASPIRAZIONE ARIA	
15	M849008427	1	PANEL, INSTRUMENT SIDE	
20	M309509005	1	GASKET	



Pos.	Id	Q.ty	Description	Note
1	M1039040		RIVETTO A STRAPPO A-3,4-7ROSSOP-AlMg 2,5 - UNI 9200 RAL3000	
7	M273118140		RH HINGE	
19	M309509005		GASKET	
2	M6005040		SCREW TE C/F ENI1662 M6X16	
3	M6010030		VITE TBCE ISO7380 M8x25 10.9ZN	
4	M6010060		VITE TBCE ISO7380 M5x16 10.9ZN	
5	M6028070		NUT	
6	M6035060		WASHER	
8	M849008003		PANEL, RIGHT FRONT CANOPY	
9	M849008004		PANEL, LEFT FRONT CANOPY	
10	M849008089		PLASTIC PANEL	
11	M849008090		BRACKET	
12	M849008095		CASSONETTO ASPIRAZIONE ARIA	
13	M849008136		HANDLE, LOCK	
18	MIP0168427		PANEL, INSTRUMENT SIDE	



Pos.	Id	Q.ty	Description	Note
1	M1039040	1	RIVETTO A STRAPPO A-3,4-7ROSSOP-AlMg 2,5 - UNI 9200 RAL3000	
2	M6005040	1	SCREW TE C/F ENI1662 M6X16	
3	M6010030	1	VITE TBCE ISO7380 M8x25 10.9ZN	
4	M6010060	1	VITE TBCE ISO7380 M5x16 10.9ZN	
5	M6028070	1	NUT	
6	M6035060	1	WASHER	
7	M273118140	1	RH HINGE	
8	M849008003	1	PANEL, RIGHT FRONT CANOPY	
9	M849008004	1	PANEL, LEFT FRONT CANOPY	
10	M849008089	1	PLASTIC PANEL	
11	M849008090	1	BRACKET	
12	M849008095	1	CASSONETTO ASPIRAZIONE ARIA	
13	M849008136	1	HANDLE, LOCK	
18	MIP0168427	1	PANEL, INSTRUMENT SIDE	
19	M105112270	1	STRIP, SEALING (L=MT.1)	



Pos.	Id	Q.ty	Description	Note
5	M102351740	1	WHEEL	
6	M102351750	1	PARKING STAND	
7	M217601080	1	MORSETTO D.48 FISS.RUOTA D'APP	
8	M273111150	1	TOW BAR	
1	M6001400	1	VITE TE ISO 4017 M10X25 8.8 ZN	
2	M6001510	1	SCREW TE ISO 4017 M10X20	
3	M6022080	1	NOUT M10 UNI5588 6S	
4	M6035050	1	WASHER 10,5X21 UNI 6592 R40	
9	M849001160	1	ASSALE RUOTE (COMPL.)	
10	M849001162	1	STAFFA FISS.TIMONE A BASAMENTO	



## Components index

22/12/2022

Id	drawing	Pos.	Q.ty
4AF20000	A.02.00.C0003_0	10	1
	A.02.00.C0003_01	10	1
M101041540	D.01.00.C0003_0	20	1
M1018130	E.01.00.C0003_0	1	1
	E.01.01.C0003_00	1	1
M102013290	C.06.00.C0003_0	4	1
	C.06.00.C0003_01	5	
M102042740	C.06.00.C0003_0	5	1
	C.06.00.C0003_01	6	
M102351740	H.02.09.C0001_00	5	1
M102351750	H.02.09.C0001_00	6	1
M1031020	D.01.00.C0003_0	1	1
M1039010	C.06.00.C0003_01	1	
M1039040	E.03.00.C0003_0	1	1
	E.03.00.C0003_01	1	
	E.03.01.C0003_00	1	1
M105111510	C.07.00.C0003_01	15	
M105111540	D.01.00.C0003_0	21	1
M105112270	A.01.06.C0003_00	41	1
	E.03.01.C0003_00	19	1
M105191550	C.07.00.C0003_01	16	
M105191560	C.07.00.C0003_01	17	
M105191570	C.07.00.C0003_01	18	
M107509045	D.01.00.C0003_0	22	1
M107509903	C.07.00.C0003_01	29	
M1241010	D.01.00.C0003_0	2	1
M1243020	D.01.00.C0003_0	3	1
	D.01.00.C0003_0	4	1
M1291190	D.01.00.C0003_0	5	1

Id	drawing	Pos.	Q.ty
M1291220	D.01.00.C0003_0	6	1
M1291300	D.01.00.C0003_0	7	1
M1297140	A.02.00.C0003_0	1	1
	A.02.00.C0003_01	1	1
	D.01.00.C0003_0	8	1
M217601080	H.02.09.C0001_00	7	1
M218097241	C.07.00.C0003_01	20	
M273111150	H.02.09.C0001_00	8	1
M273112022	E.01.00.C0003_0	10	1
	E.01.01.C0003_00	10	1
M273118140	E.03.00.C0003_0	7	1
	E.03.00.C0003_01	7	
	E.03.01.C0003_00	7	1
M305209705	D.01.00.C0003_0	23	1
M305232071	B.01.00.C0003_0	11	1
	B.01.01.C0003_00	11	1
M305717315	C.06.00.C0003_0	6	1
	C.06.00.C0003_01	7	
M306479199	D.01.00.C0003_0	24	1
M307012037	A.01.00.C0003_0	14	1
	A.01.06.C0003_00	15	1
M308101262	A.01.00.C0003_0	15	1
M308102023	A.01.00.C0003_0	16	1
M309509005	A.01.00.C0003_0	40	1
	E.01.00.C0003_0	22	1
	E.01.01.C0003_00	23	1
	E.03.00.C0003_0	20	1
	E.03.00.C0003_01	19	
M315507215	C.07.00.C0003_01	21	

Id	drawing	Pos.	Q.ty
M325507210	C.06.00.C0003_0	7	1
	C.06.00.C0003_01	8	
M342202026	A.01.00.C0003_0	17	1
M343338142	E.01.00.C0003_0	11	1
	E.01.01.C0003_00	11	1
M372997270	C.07.00.C0003_01	22	
M400409154	A.01.00.C0003_0	18	1
	A.01.06.C0003_00	16	1
M6001070	D.01.00.C0003_0	9	1
M6001150	A.01.00.C0003_0	1	1
	A.01.06.C0003_00	1	1
M6001180	A.01.00.C0003_0	2	1
	A.01.06.C0003_00	2	1
	C.07.00.C0003_01	1	
	D.01.00.C0003_0	10	1
M6001190	A.01.00.C0003_0	3	1
	A.01.06.C0003_00	3	1
	B.01.00.C0003_0	1	1
	B.01.01.C0003_00	1	1
	C.07.00.C0003_01	2	
M6001210	A.02.00.C0003_0	2	1
	A.02.00.C0003_01	2	1
M6001400	A.01.00.C0003_0	4	1
	A.01.06.C0003_00	4	1
	A.02.00.C0003_0	3	1
	A.02.00.C0003_01	3	1
	B.01.00.C0003_0	2	1
	B.01.01.C0003_00	2	1
	H.02.09.C0001_00	1	1

<b>Id</b>	<b>drawing</b>	<b>Pos.</b>	<b>Q.ty</b>
M6001510	A.02.00.C0003_0	4	1
	A.02.00.C0003_01	4	1
	H.02.09.C0001_00	2	1
M6001550	C.07.00.C0003_01	3	
M6001640	B.01.00.C0003_0	3	1
	B.01.01.C0003_00	3	1
M6003040	C.07.00.C0003_01	4	
M6003060	E.01.00.C0003_0	2	1
	E.01.01.C0003_00	2	1
M6005020	C.07.00.C0003_01	5	
	D.01.00.C0003_0	11	1
M6005030	A.01.00.C0003_0	5	1
	A.01.06.C0003_00	5	1
	A.02.00.C0003_0	5	1
M6005040	A.01.00.C0003_0	6	1
	A.01.06.C0003_00	6	1
	A.02.00.C0003_01	5	1
	B.01.00.C0003_0	4	1
	B.01.01.C0003_00	4	1
	D.01.00.C0003_0	12	1
	E.01.00.C0003_0	3	1
	E.01.01.C0003_00	3	1
	E.02.00.C0003_0	1	1
	E.02.01.C0003_00	1	1
	E.03.00.C0003_0	2	1
	E.03.00.C0003_01	2	
	E.03.01.C0003_00	2	1
M6008250	C.07.00.C0003_01	6	
M6008330	E.01.00.C0003_0	4	1

<b>Id</b>	<b>drawing</b>	<b>Pos.</b>	<b>Q.ty</b>
	E.01.01.C0003_00	4	1
M6010020	E.01.00.C0003_0	5	1
	E.01.01.C0003_00	5	1
M6010030	E.03.00.C0003_0	3	1
	E.03.00.C0003_01	3	
	E.03.01.C0003_00	3	1
M6010050	A.01.06.C0003_00	7	1
	E.03.00.C0003_0	4	1
M6010060	E.03.00.C0003_01	4	
	E.03.01.C0003_00	4	1
M6019010	C.07.00.C0003_01	7	
M6020520	E.01.00.C0003_0	6	1
	E.01.01.C0003_00	6	1
M6022030	C.06.00.C0003_0	1	1
	C.06.00.C0003_01	2	
	D.01.00.C0003_0	13	1
M6022040	B.01.00.C0003_0	5	1
	B.01.01.C0003_00	5	1
M6022060	A.01.00.C0003_0	7	1
	A.01.06.C0003_00	8	1
	B.01.00.C0003_0	6	1
	B.01.01.C0003_00	6	1
	C.07.00.C0003_01	8	
M6022080	A.01.00.C0003_0	8	1
	A.01.06.C0003_00	9	1
	H.02.09.C0001_00	3	1
M6025020	C.07.00.C0003_01	9	
M6028010	C.07.00.C0003_01	10	
	D.01.00.C0003_0	14	1

<b>Id</b>	<b>drawing</b>	<b>Pos.</b>	<b>Q.ty</b>
M6028020	C.06.00.C0003_0	2	1
	C.06.00.C0003_01	3	
	C.07.00.C0003_01	11	
	D.01.00.C0003_0	15	1
M6028040	B.01.00.C0003_0	7	1
	B.01.01.C0003_00	7	1
M6028070	D.01.00.C0003_0	16	1
	E.01.00.C0003_0	7	1
	E.01.01.C0003_00	7	1
	E.03.00.C0003_0	5	1
	E.03.00.C0003_01	5	
	E.03.01.C0003_00	5	1
M6028110	C.07.00.C0003_01	12	
M6035020	A.01.00.C0003_0	9	1
	A.01.06.C0003_00	10	1
	C.07.00.C0003_01	13	
	D.01.00.C0003_0	17	1
M6035030	C.06.00.C0003_0	3	1
	C.06.00.C0003_01	4	
	D.01.00.C0003_0	18	1
M6035040	A.01.00.C0003_0	10	1
	A.01.06.C0003_00	11	1
	B.01.00.C0003_0	8	1
	B.01.01.C0003_00	8	1
	C.07.00.C0003_01	14	
M6035050	A.01.00.C0003_0	11	1
	A.01.06.C0003_00	12	1
	A.02.00.C0003_0	6	1
	A.02.00.C0003_01	6	1



## Components index

22/12/2022

Id	drawing	Pos.	Q.ty
M6035060	H.02.09.C0001_00	4	1
	B.01.00.C0003_0	9	1
	B.01.01.C0003_00	9	1
	D.01.00.C0003_0	19	1
	E.03.00.C0003_0	6	1
M6036030	E.03.00.C0003_01	6	
	E.03.01.C0003_00	6	1
	E.01.00.C0003_0	8	1
	E.01.01.C0003_00	8	1
	A.01.00.C0003_0	12	1
M6036070	A.01.06.C0003_00	13	1
	B.01.00.C0003_0	10	1
	B.01.01.C0003_00	10	1
	E.01.00.C0003_0	9	1
	E.01.01.C0003_00	9	1
M734507325	D.01.00.C0003_0	25	1
M741652276	A.01.00.C0003_0	19	1
	A.01.06.C0003_00	17	1
M744507170	D.01.00.C0003_0	33	1
M744507171	D.01.00.C0003_0	34	1
M744507219	C.07.00.C0003_01	25	
M744507237	C.07.00.C0003_01	26	
M744508136	E.01.00.C0003_0	12	1
	E.01.01.C0003_00	12	1
M744508140	E.01.00.C0003_0	13	1
	E.01.01.C0003_00	13	1
M749102212	A.02.00.C0003_01	12	1
M773721035	A.01.00.C0003_0	20	1
	A.01.06.C0003_00	18	1

Id	drawing	Pos.	Q.ty
M773749150	A.01.00.C0003_0	21	1
	A.01.06.C0003_00	19	1
M773815043	C.06.00.C0003_0	12	1
	C.06.00.C0003_01	13	
M840399351	D.01.00.C0003_0	27	1
M840951262	A.01.00.C0003_0	23	1
	A.01.06.C0003_00	21	1
M841552071	B.01.00.C0003_0	12	1
	B.01.01.C0003_00	12	1
M841562228	B.01.01.C0003_00	18	1
M841652278	A.01.00.C0003_0	24	1
	A.01.06.C0003_00	22	1
M841657032	A.01.06.C0003_00	23	1
	E.01.00.C0003_0	14	1
M841658360	E.01.01.C0003_00	14	1
	E.01.00.C0003_0	15	1
M841658361	E.01.01.C0003_00	15	1
	E.01.00.C0003_0	16	1
M841659357	E.01.00.C0003_0	16	1
	E.01.01.C0003_00	16	1
M841659358	E.01.00.C0003_0	17	1
	E.01.01.C0003_00	17	1
M842142245	C.06.00.C0003_01	20	
M842251262	A.01.00.C0003_0	25	1
M842252026	A.01.06.C0003_00	24	1
M842503100	A.02.00.C0003_0	8	1
	A.02.00.C0003_01	8	1
M843057021	C.06.00.C0003_0	13	1
	C.06.00.C0003_01	14	
M843058136	E.03.00.C0003_0	8	1

Id	drawing	Pos.	Q.ty
M843058137	E.03.00.C0003_0	9	1
M849001050	A.01.00.C0003_0	27	1
M849001100	B.01.00.C0003_0	13	1
	B.01.01.C0003_00	13	1
M849001160	H.02.09.C0001_00	9	1
M849001162	H.02.09.C0001_00	10	1
M849001262	A.01.00.C0003_0	28	1
	A.01.06.C0003_00	26	1
M849002020	A.01.00.C0003_0	29	1
M849002025	A.01.00.C0003_0	30	1
	A.01.06.C0003_00	27	1
M849002078	E.01.00.C0003_0	18	1
	E.01.01.C0003_00	18	1
M849002081	B.01.00.C0003_0	14	1
	B.01.01.C0003_00	14	1
M849003101	A.01.00.C0003_0	31	1
	A.01.06.C0003_00	28	1
M849007010	D.01.00.C0003_0	29	1
M849007020	C.06.00.C0003_0	14	1
	C.06.00.C0003_01	15	
M849007024	C.06.00.C0003_01	16	
M849007032	C.07.00.C0003_01	27	
M849007077	D.01.00.C0003_0	30	1
M849008003	E.03.00.C0003_0	10	1
	E.03.00.C0003_01	8	
	E.03.01.C0003_00	8	1
	E.03.00.C0003_0	11	1
M849008004	E.03.00.C0003_01	9	
	E.03.01.C0003_00	9	1

<b>Id</b>	<b>drawing</b>	<b>Pos.</b>	<b>Q.ty</b>
M849008025	E.02.00.C0003_0	2	1
	E.02.01.C0003_00	2	1
M849008035	E.01.00.C0003_0	19	1
	E.01.01.C0003_00	19	1
M849008089	E.03.00.C0003_0	12	1
	E.03.00.C0003_01	10	
	E.03.01.C0003_00	10	1
M849008090	E.03.00.C0003_0	13	1
	E.03.00.C0003_01	11	
	E.03.01.C0003_00	11	1
M849008091	E.01.00.C0003_0	20	1
	E.01.01.C0003_00	20	1
M849008095	E.03.00.C0003_0	14	1
	E.03.00.C0003_01	12	
	E.03.01.C0003_00	12	1
M849008136	E.03.00.C0003_01	13	
	E.03.01.C0003_00	13	1
M849008427	E.03.00.C0003_0	15	1
M849008428	E.01.00.C0003_0	21	1
	E.01.01.C0003_00	21	1
M849009975	A.01.00.C0003_0	32	1
M849051050	A.01.06.C0003_00	29	1
M849051296	A.01.06.C0003_00	30	1
M849052020	A.01.06.C0003_00	31	1
M849052050	A.01.00.C0003_0	33	1
	A.01.06.C0003_00	32	1
M849057065	C.07.00.C0003_01	28	
M849057306	D.01.00.C0003_0	31	1
M849100566	B.01.00.C0003_0	15	1

<b>Id</b>	<b>drawing</b>	<b>Pos.</b>	<b>Q.ty</b>
	B.01.01.C0003_00	15	1
M849102034	A.02.00.C0003_0	9	1
	A.02.00.C0003_01	9	1
M849102147	A.01.00.C0003_0	34	1
	A.01.06.C0003_00	33	1
M849102158	A.01.06.C0003_00	34	1
M849102212	A.02.00.C0003_0	11	1
	A.02.00.C0003_01	11	1
M849102241	B.01.00.C0003_0	16	1
	B.01.01.C0003_00	16	1
M849102278	A.02.00.C0003_0	12	1
M849108215	A.01.00.C0003_0	35	1
	A.01.06.C0003_00	35	1
M849108370	A.01.00.C0003_0	36	1
	A.01.06.C0003_00	36	1
M849109975	A.01.06.C0003_00	37	1
M849200094	C.06.00.C0003_01	22	
MIP0168427	E.03.00.C0003_01	18	
	E.03.01.C0003_00	18	1
MJJ0062025	A.01.00.C0003_0	38	1
	A.01.06.C0003_00	39	1
MJJ0062252	C.06.00.C0003_01	19	
MJJ0062253	C.06.00.C0003_01	18	
MJJ0062292	A.01.00.C0003_0	39	1
	A.01.06.C0003_00	40	1
MJJ0067190	C.06.00.C0003_01	21	
MJK0029770	C.06.00.C0003_0	15	1
	C.06.00.C0003_01	17	